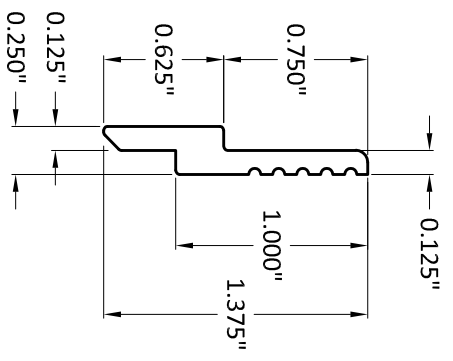
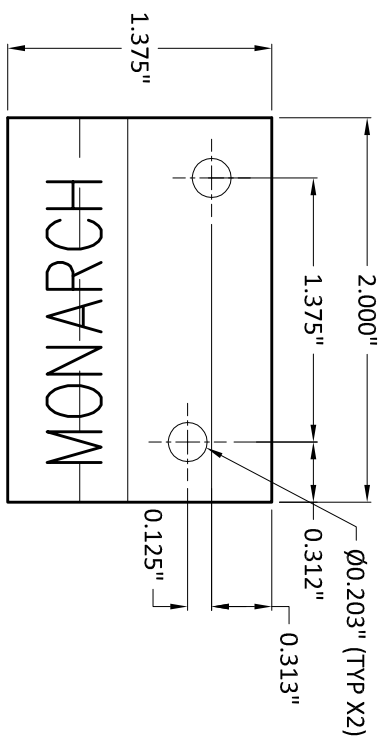


SCALE 1:2

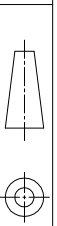


SCALE 1:1



SCALE 1:1

PROPRIETARY AND CONFIDENTIAL  
 THE INFORMATION CONTAINED IN THIS DRAWING IS THE SOLE PROPERTY OF MONARCH METAL FABRICATION. ANY REPRODUCTION IN PART OR AS A WHOLE WITHOUT THE WRITTEN PERMISSION OF MONARCH METAL FABRICATION IS PROHIBITED.



MATERIAL Aluminum

FINISH

DO NOT SCALE DRAWING

NAME	DATE
GURU	14/06/19
CHECKED	CHRIS



TITLE: MF375 Z CLIP WITH 3/8" LIFT OFF

SIZE	DWG. NO.	REV
A4	MF375 .375 LIFT OFF Z CLIP	A

SCALE: 1:1, 1:2 WEIGHT: ~ 0.037 lbs SHEET 1 OF 2

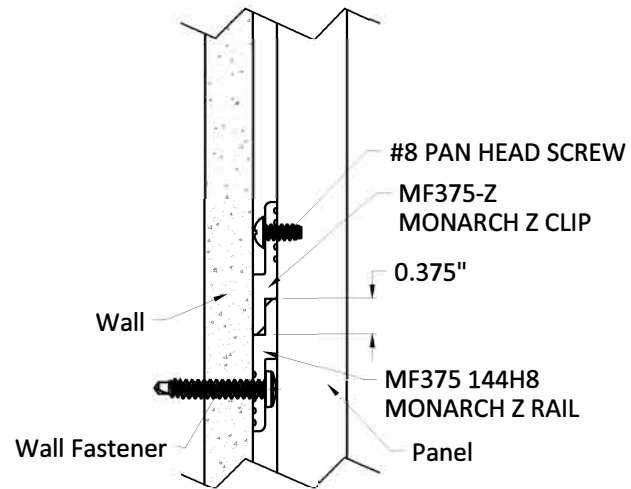
5

4

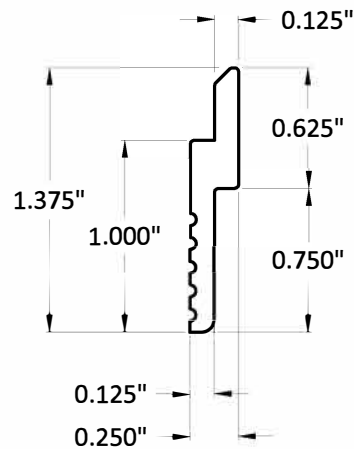
3

2

1



SCALE 1:2



SCALE 1:1



SCALE 1:4

PROPRIETARY AND CONFIDENTIAL

THE INFORMATION CONTAINED IN THIS DRAWING IS THE SOLE PROPERTY OF MONARCH METAL FABRICATION. ANY REPRODUCTION IN PART OR AS A WHOLE WITHOUT THE WRITTEN PERMISSION OF MONARCH METAL FABRICATION IS PROHIBITED.

MATERIAL	Aluminum
FINISH	
DO NOT SCALE DRAWING	

NAME	GURU	DATE	14/06/19	TITLE: <b>MF375-144H8</b>		
DRAWN	GURU			SIZE	DWG. NO.	REV
CHECKED	CHRIS			A4	MF375 .375 LIFT OFF Z CLIP	-
				SCALE: 1:1, 1:2, 1:4	WEIGHT: ≈ 0.225 lbs/ft	SHEET 2 OF 2