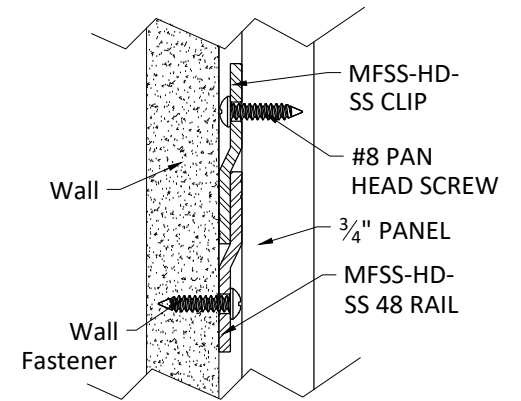
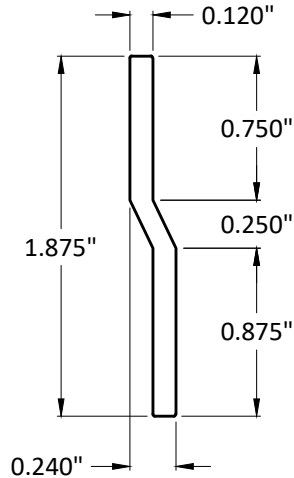
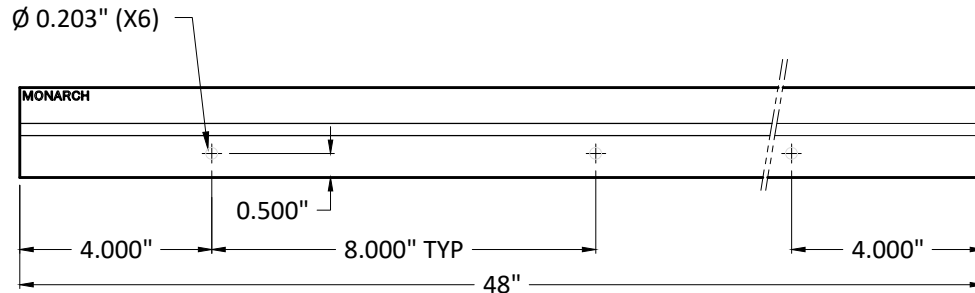


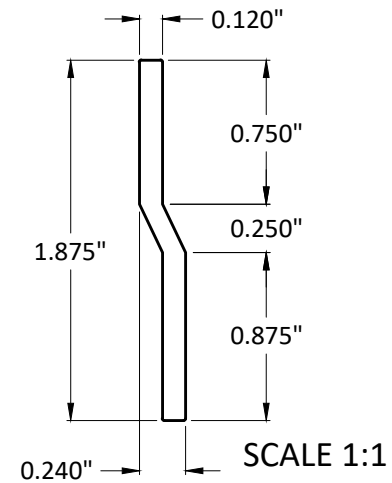
MFSS-HD-SS CLIP
WEIGHT: ≈ 0.095 lbs
SCALE 1:1



SCALE 1:2

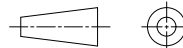


SCALE 1:4 WEIGHT: ≈ 0.7875 lbs/ft



SCALE 1:1

PROPRIETARY AND CONFIDENTIAL
THE INFORMATION CONTAINED IN THIS DRAWING IS THE SOLE PROPERTY OF MONARCH METAL FABRICATION. ANY REPRODUCTION IN PART OR AS A WHOLE WITHOUT THE WRITTEN PERMISSION OF MONARCH METAL FABRICATION IS PROHIBITED.



MATERIAL 304 STAINLESS

FINISH

DO NOT SCALE DRAWING

	NAME	DATE
DRAWN	GURU	18/09/19
CHECKED	KL	24/03/21



TITLE:	
HEAVY DUTY SS RAIL AND BRACKET	
SIZE	DWG. NO.
A4	HEAVY DUTY SS RAIL & BRACKET
SCALE: 1:1, 1:2, 1:4	WEIGHT: NOTED
SHEET 1 OF 1	