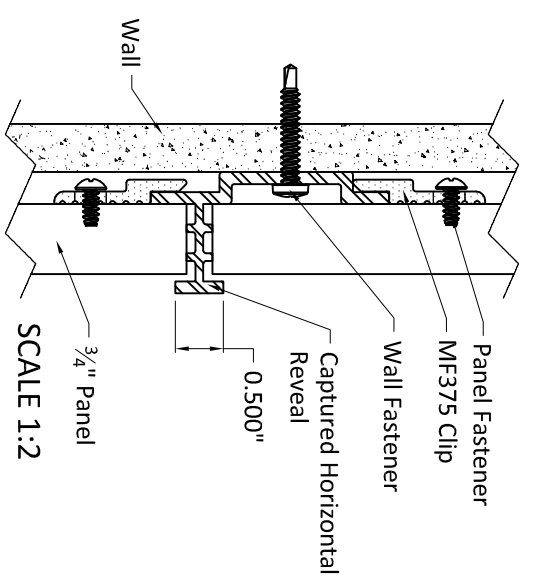
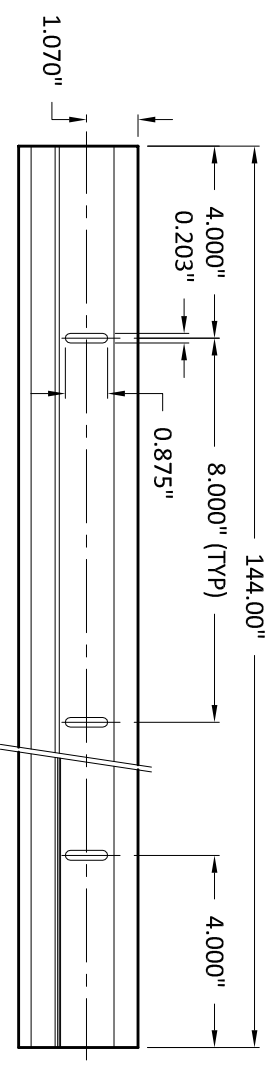


SCALE 1:1

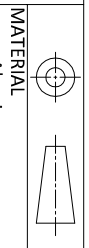


SCALE 1:2



SCALE 1:4

PROPRIETARY AND CONFIDENTIAL
 THE INFORMATION CONTAINED IN THIS DRAWING IS THE SOLE PROPERTY OF MONARCH METAL FABRICATION. ANY REPRODUCTION IN PART OR AS A WHOLE WITHOUT THE WRITTEN PERMISSION OF MONARCH METAL FABRICATION IS PROHIBITED.



MATERIAL Aluminum
 FINISH Clear Anodized
 DO NOT SCALE DRAWING

DRAWN	NAME	DATE
CHECKED	GURU	05/04/18
	CHRIS	



TITLE: 1/2" Captured Horizontal Reveal 0.75" Panel

SIZE A4 DWG. NO. EPS-H075-C50

SCALE: 1:1, 1:2, 1:4 WEIGHT: ≈ 0.614 lbs/ft SHEET 1 OF 1