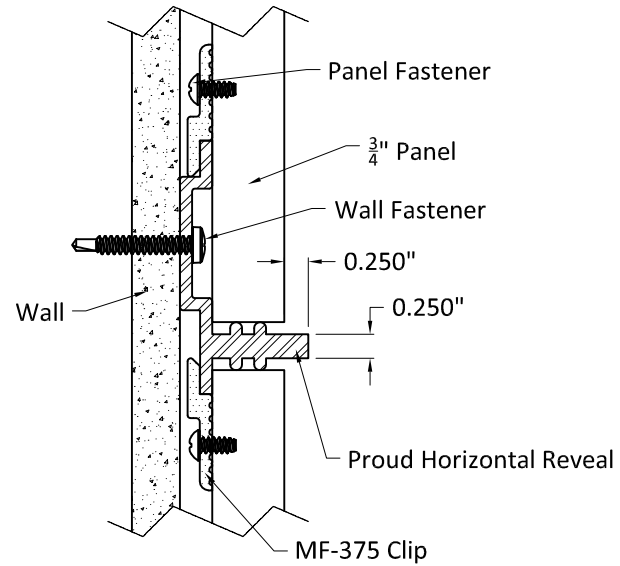
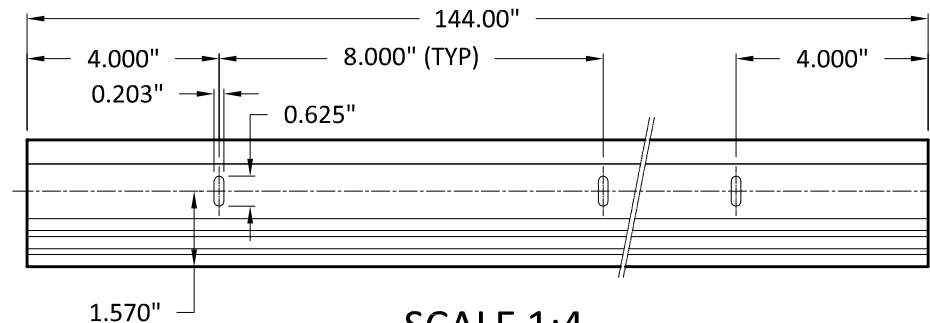


SCALE 1:1



SCALE 1:2



SCALE 1:4

PROPRIETARY AND CONFIDENTIAL
THE INFORMATION CONTAINED IN THIS DRAWING IS THE SOLE PROPERTY OF MONARCH METAL FABRICATION. ANY REPRODUCTION IN PART OR AS A WHOLE WITHOUT THE WRITTEN PERMISSION OF MONARCH METAL FABRICATION IS PROHIBITED.

MATERIAL Aluminum
FINISH Clear Anodized
DO NOT SCALE DRAWING

NAME	DATE
GURU	09/07/18
CHRIS	



TITLE: HORIZONTAL 1/4" REVEAL 3/4" PANEL		
SIZE: A4	DWG. NO.: EPS-H075-P	REV: B
SCALE: 1:1,1:2,1:4	WEIGHT: ≈ 0.811 lbs/ft	SHEET 1 OF 1