

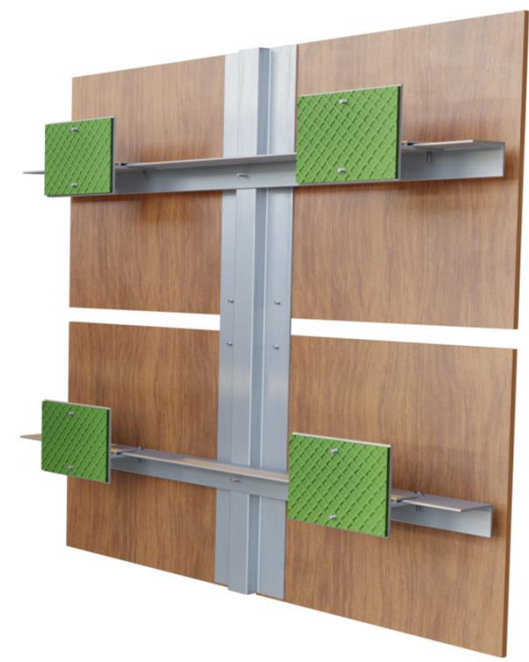
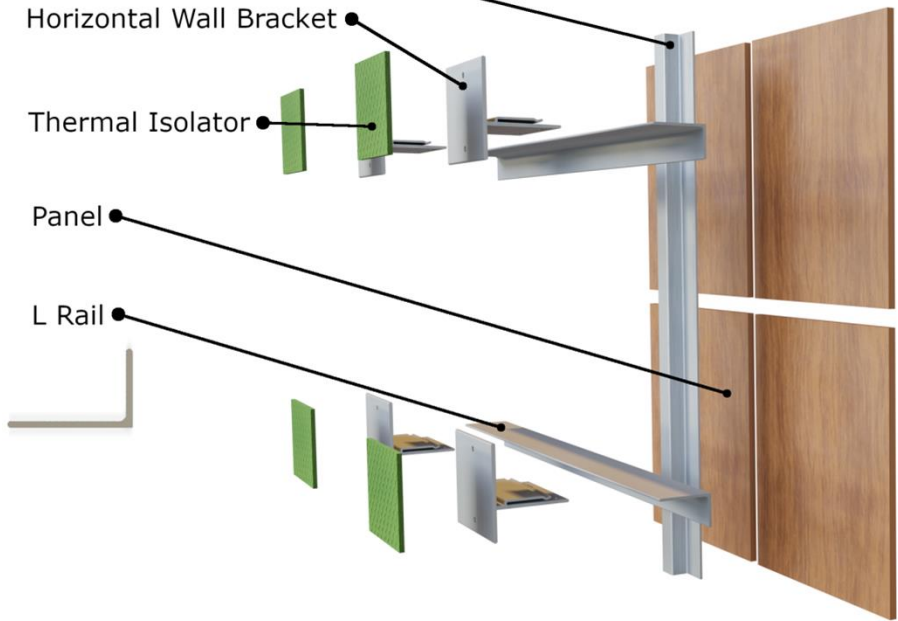
F MAX Hat

Horizontal Wall Bracket

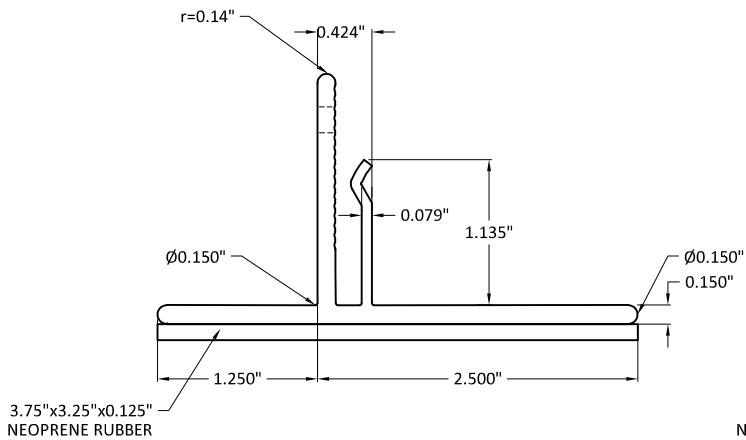
Thermal Isolator

Panel

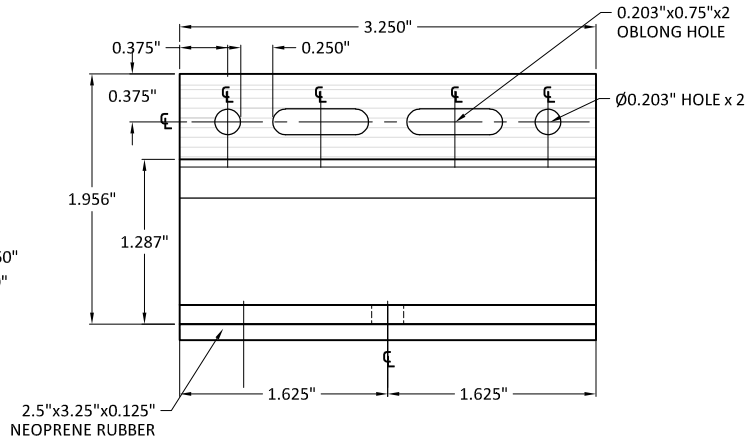
L Rail



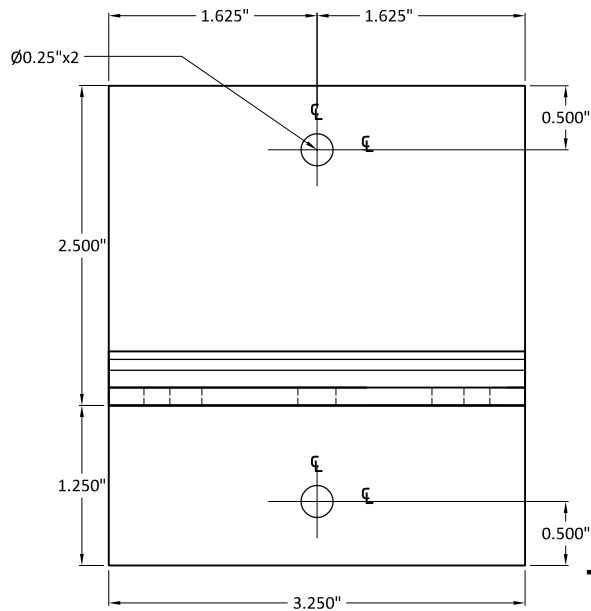
Title	Horizontal Wall Bracket Assembly
-------	----------------------------------



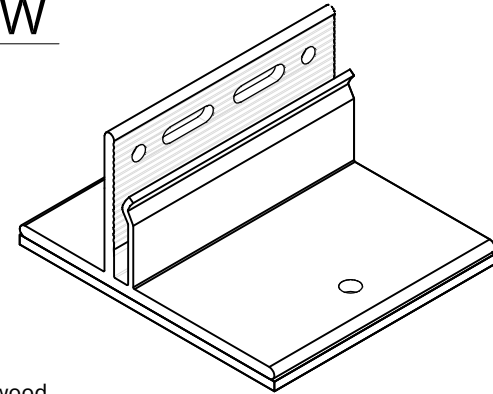
**SIDE VIEW**



**FRONT VIEW**



**TOP VIEW**



**ISOMETRIC VIEW** SCALE: 1:2

This drawing package is for mounting to wood and metal studs. Please let Monarch Metal know if you need drawings for CMU.



**PROPRIETARY AND CONFIDENTIAL**  
 THE INFORMATION CONTAINED IN THIS DRAWING IS THE SOLE PROPERTY OF MONARCH METAL FABRICATION. ANY REPRODUCTION IN PART OR AS A WHOLE WITHOUT THE WRITTEN PERMISSION OF MONARCH METAL FABRICATION IS PROHIBITED.

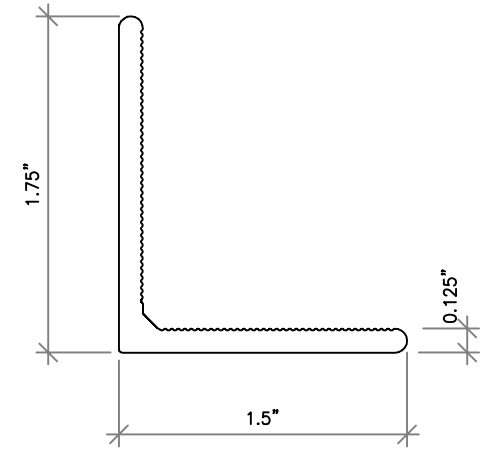
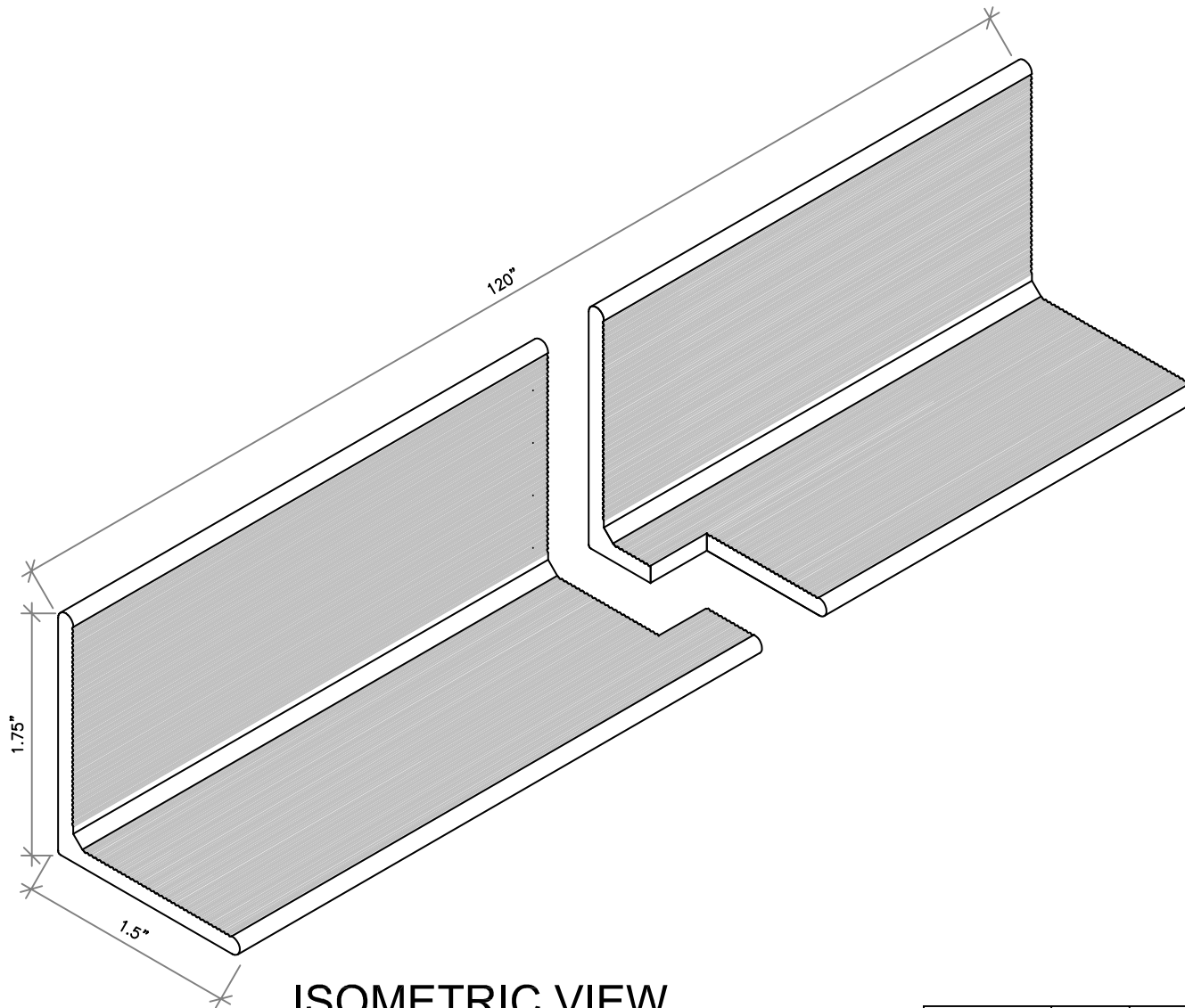
MATERIAL  
 6061-T6 Aluminum  
 FINISH  
 Mill  
 DO NOT SCALE DRAWING

	NAME	DATE
DRAWN	ETC	09/04/19
CHECKED	CS	
COMMENTS:		

TITLE:  
**Horizontal Single Wall Bracket - 2 inch**

SIZE	DWG. NO.	REV
<b>A4</b>	<b>HWB-02-1X</b>	<b>A</b>

SCALE: 1:1.5 WEIGHT: SHEET 1 OF 1

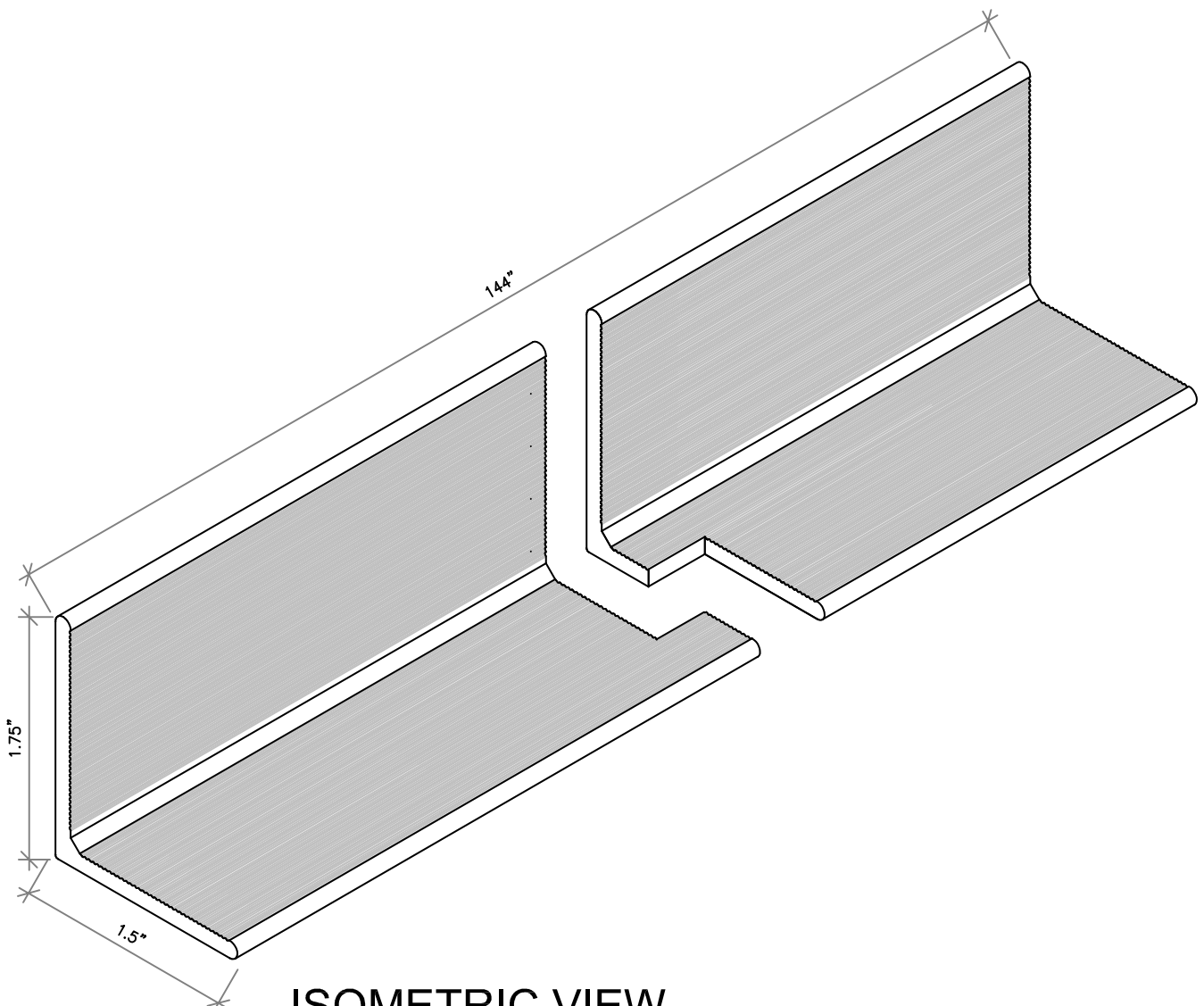


PROPRIETARY AND CONFIDENTIAL  
 THE INFORMATION CONTAINED IN THIS DRAWING IS THE SOLE PROPERTY OF MONARCH METAL FABRICATION. ANY REPRODUCTION IN PART OR AS A WHOLE WITHOUT THE WRITTEN PERMISSION OF MONARCH METAL FABRICATION IS PROHIBITED.

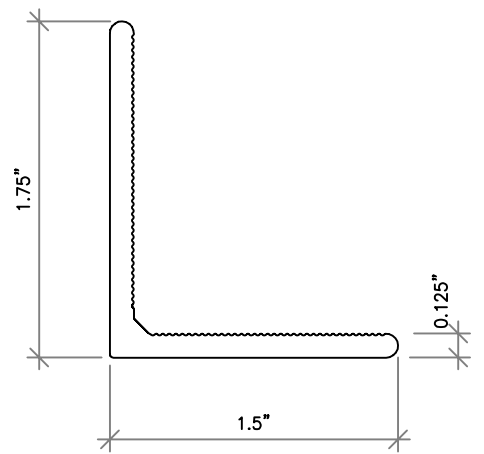
MATERIAL  
6061-T6  
 FINISH  
Black Powder Coated  
 DO NOT SCALE DRAWING

	NAME	DATE
DRAWN	GURU	25/10/19
CHECKED	BB	
COMMENTS:		
-		

TITLE: <b>L Rail - 1.75"</b>		
SIZE A	DWG. NO. L Rail - 1.75"	REV A
SCALE: 1:1	WEIGHT:	SHEET 1 OF 1



**ISOMETRIC VIEW**



**SIDE VIEW**



PROPRIETARY AND CONFIDENTIAL  
 THE INFORMATION CONTAINED IN THIS DRAWING IS THE SOLE PROPERTY OF MONARCH METAL FABRICATION. ANY REPRODUCTION IN PART OR AS A WHOLE WITHOUT THE WRITTEN PERMISSION OF MONARCH METAL FABRICATION IS PROHIBITED.

MATERIAL  
 6061-T6  
 FINISH  
 Black Powder Coated  
 DO NOT SCALE DRAWING

	NAME	DATE
DRAWN	GURU	29/10/19
CHECKED	BB	
COMMENTS:		
-		

TITLE:		
L Rail - 1.75", L-144"		
SIZE	DWG. NO.	REV
A	L Rail - 1.75", L=144"	A
SCALE: 1:1	WEIGHT:	SHEET 1 OF 1