

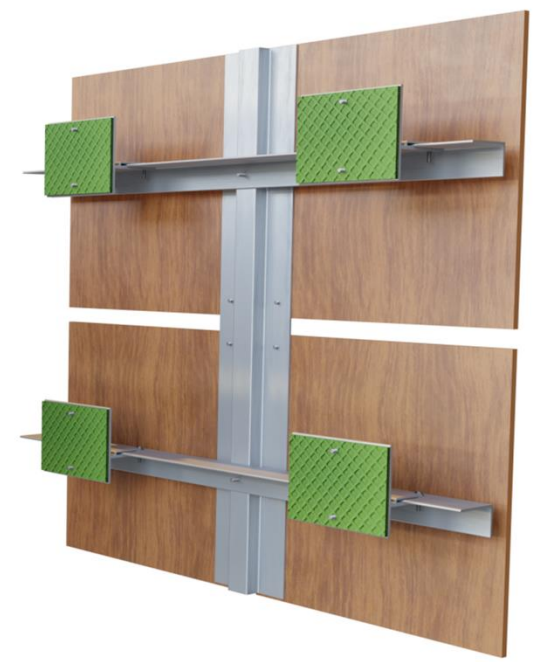
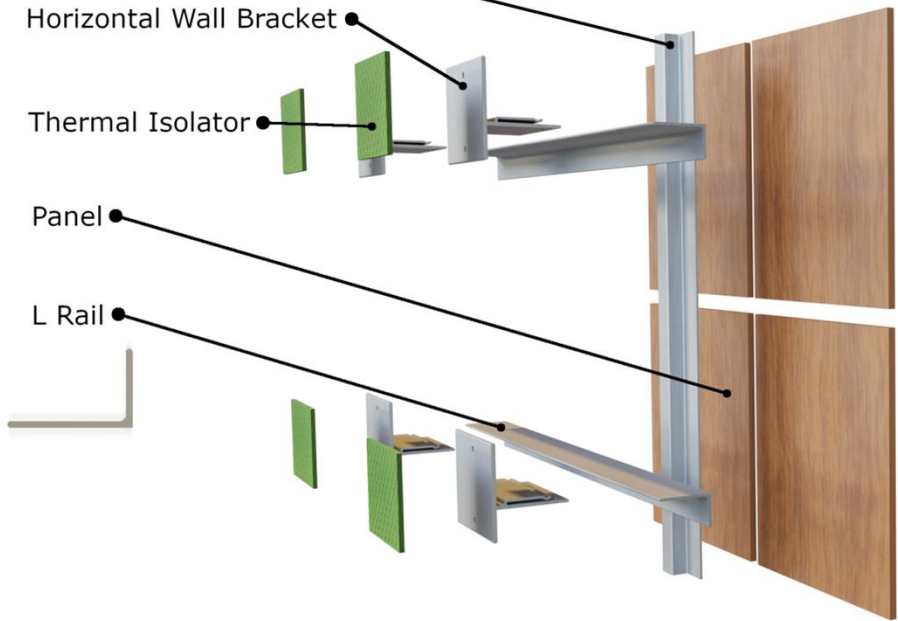
F MAX Hat

Horizontal Wall Bracket

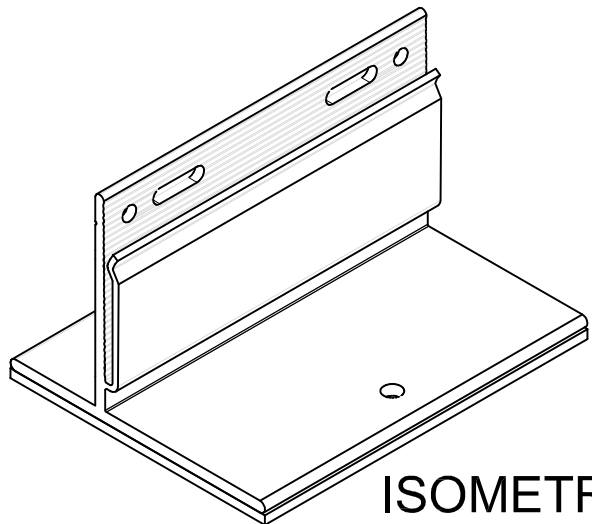
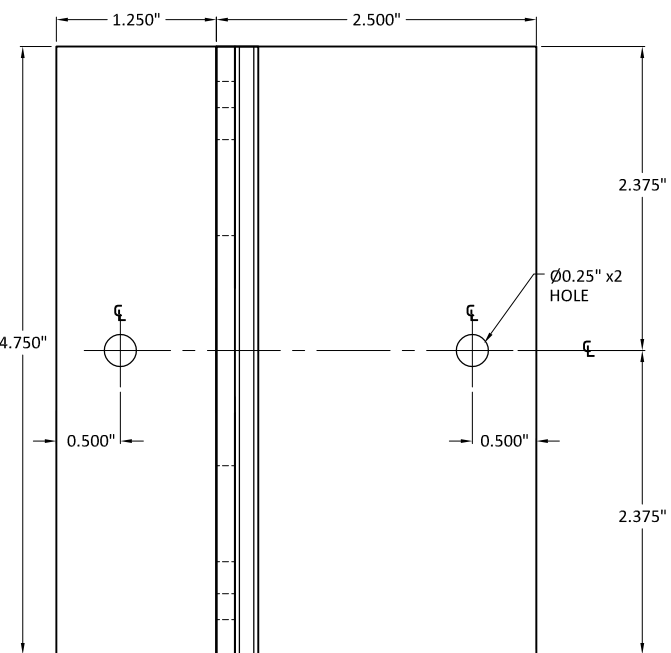
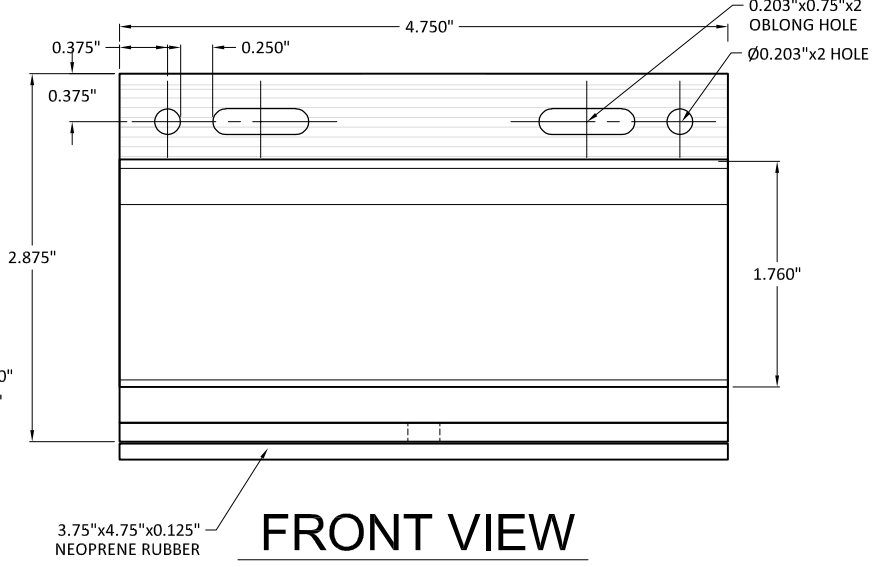
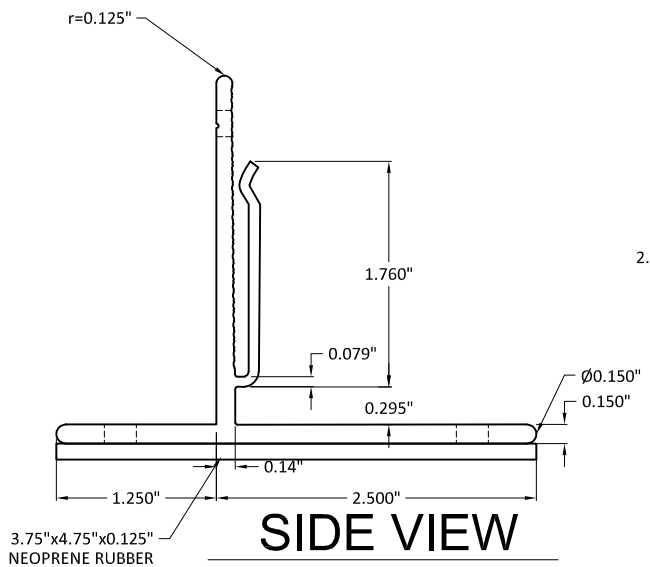
Thermal Isolator

Panel

L Rail



Title	Horizontal Wall Bracket Assembly
-------	----------------------------------



This drawing package is for mounting to wood and metal studs. Please let Monarch Metal know if you need drawings for CMU.



	NAME	DATE
DRAWN	ETC	09/04/19
CHECKED	CS	
COMMENTS:		

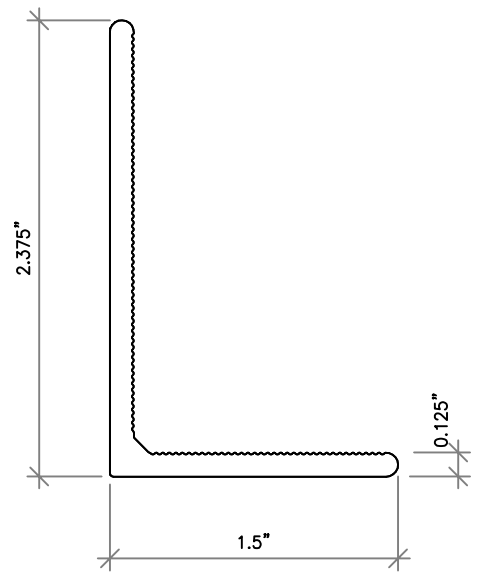
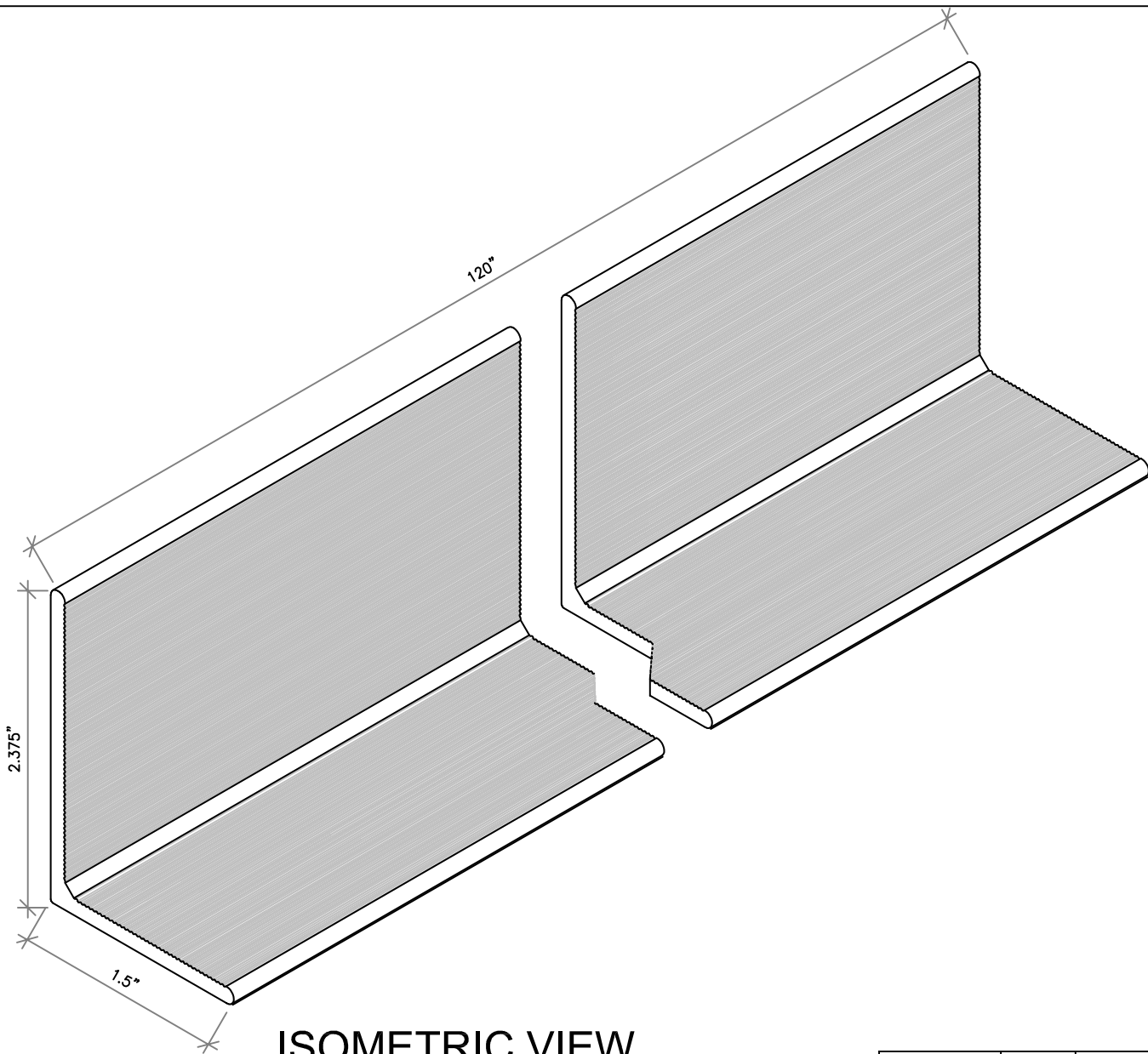
TITLE:
Horizontal Single Wall Bracket - 3 inch

PROPRIETARY AND CONFIDENTIAL

THE INFORMATION CONTAINED IN THIS DRAWING IS THE SOLE PROPERTY OF MONARCH METAL FABRICATION. ANY REPRODUCTION IN PART OR AS A WHOLE WITHOUT THE WRITTEN PERMISSION OF MONARCH METAL FABRICATION IS PROHIBITED.

MATERIAL
6005A-T61
FINISH
Tumbled
DO NOT SCALE DRAWING

SIZE	DWG. NO.	REV
A4	HWB-03-1X	A
SCALE: 1:1.5	WEIGHT: 0.976 lbs/sqft	SHEET 1 OF 1

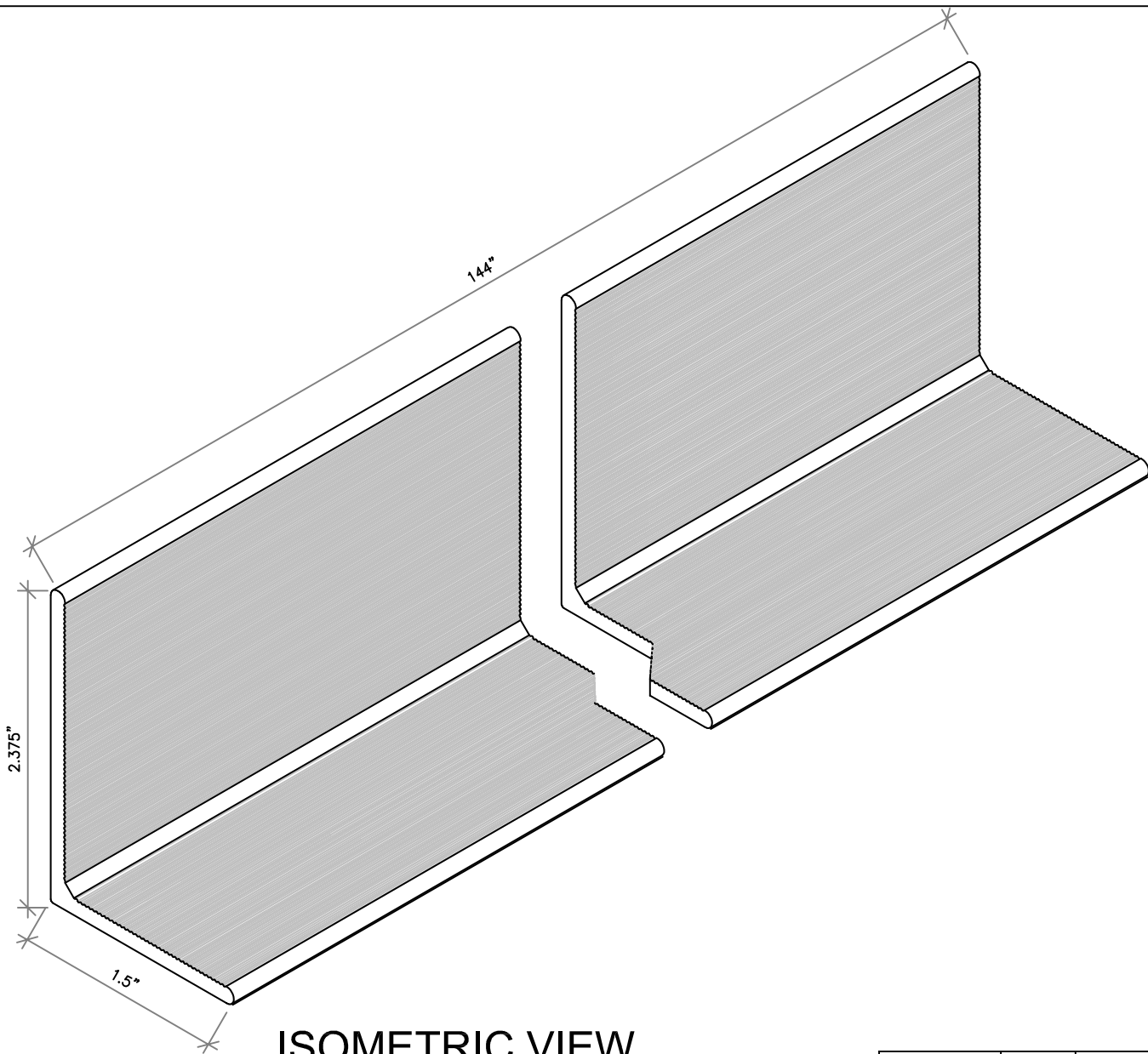


PROPRIETARY AND CONFIDENTIAL
 THE INFORMATION CONTAINED IN THIS DRAWING IS THE SOLE PROPERTY OF MONARCH METAL FABRICATION. ANY REPRODUCTION IN PART OR AS A WHOLE WITHOUT THE WRITTEN PERMISSION OF MONARCH METAL FABRICATION IS PROHIBITED.

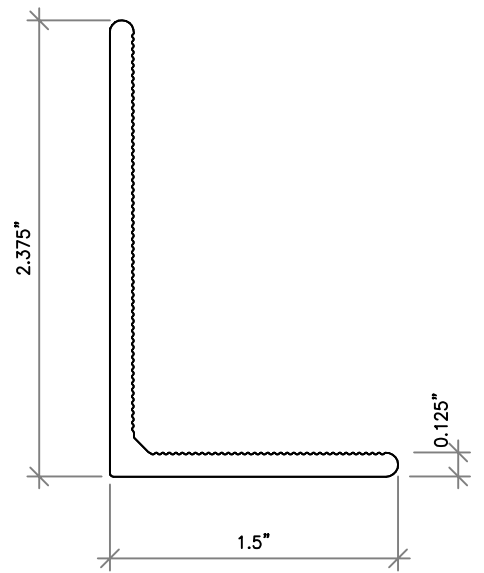
MATERIAL
6061-T6
 FINISH
Black Powder Coated
 DO NOT SCALE DRAWING

	NAME	DATE
DRAWN	GURU	25/10/19
CHECKED	BB	
COMMENTS:		
-		

TITLE: L Rail - 2.375"		
SIZE A	DWG. NO. L Rail - 2.375"	REV A
SCALE: 1:1	WEIGHT:	SHEET 1 OF 1



ISOMETRIC VIEW



SIDE VIEW



PROPRIETARY AND CONFIDENTIAL
 THE INFORMATION CONTAINED IN THIS DRAWING IS THE SOLE PROPERTY OF MONARCH METAL FABRICATION. ANY REPRODUCTION IN PART OR AS A WHOLE WITHOUT THE WRITTEN PERMISSION OF MONARCH METAL FABRICATION IS PROHIBITED.

MATERIAL 6061-T6
 FINISH Black Powder Coated
 DO NOT SCALE DRAWING

	NAME	DATE
DRAWN	GURU	29/10/19
CHECKED	BB	
COMMENTS:	-	

TITLE: L Rail - 2.375" L=144"		
SIZE A	DWG. NO. L Rail - 2.375",L=144"	REV A
SCALE: 1:1	WEIGHT:	SHEET 1 OF 1