

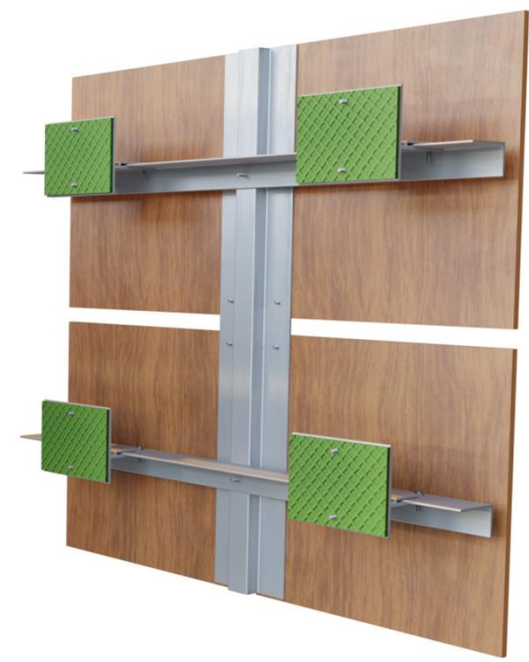
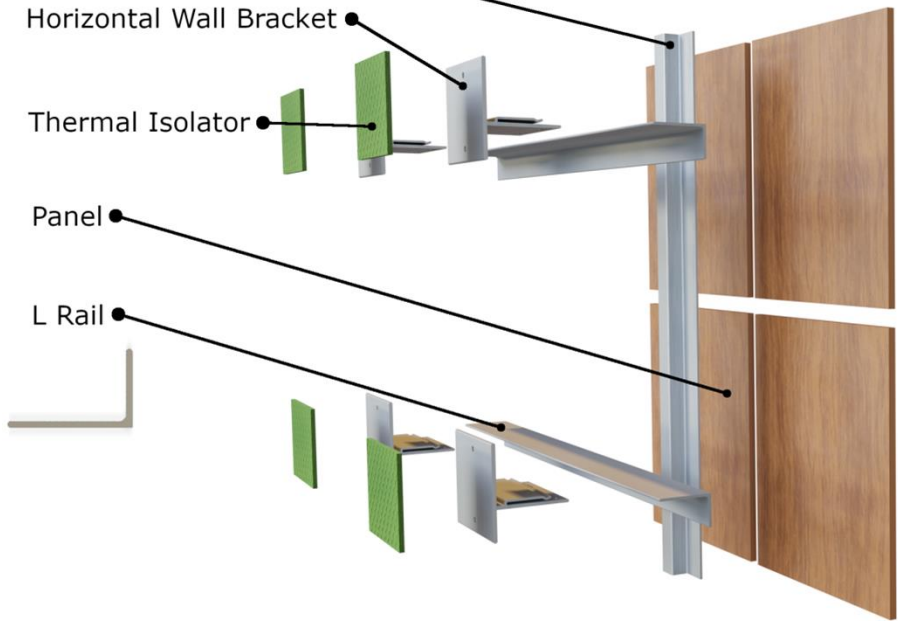
F MAX Hat

Horizontal Wall Bracket

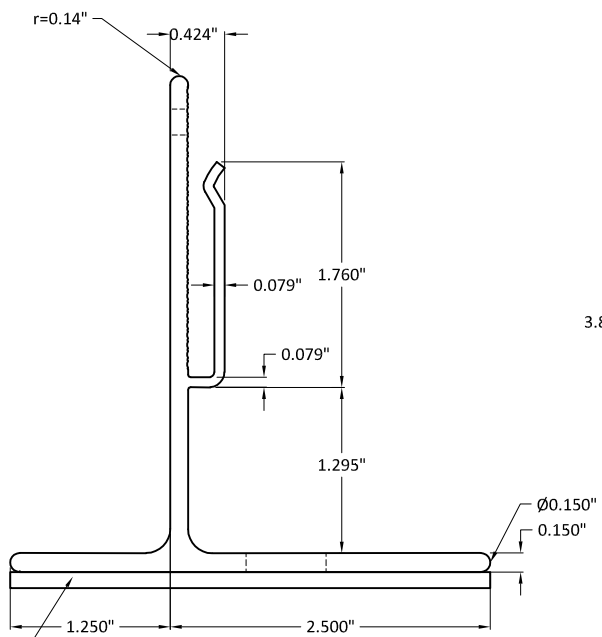
Thermal Isolator

Panel

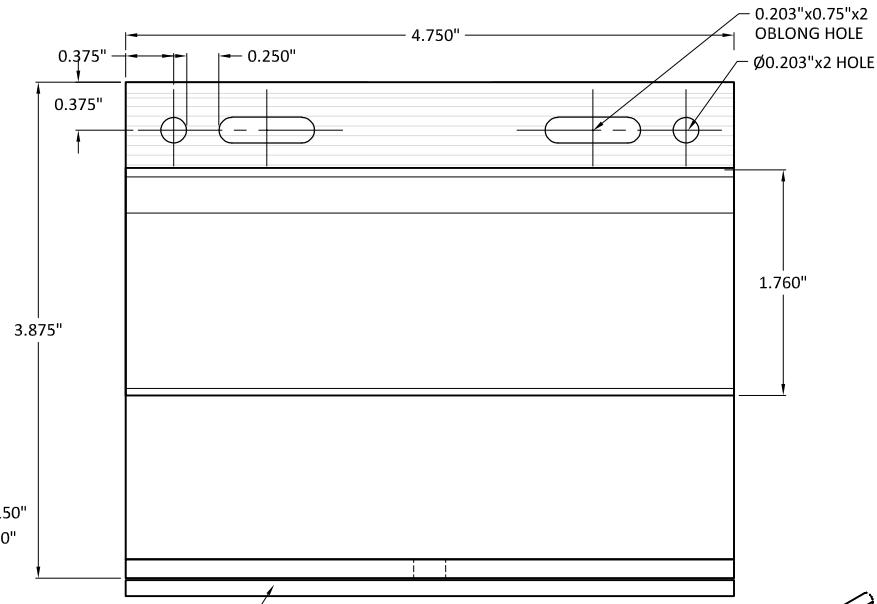
L Rail



Title	Horizontal Wall Bracket Assembly
-------	----------------------------------



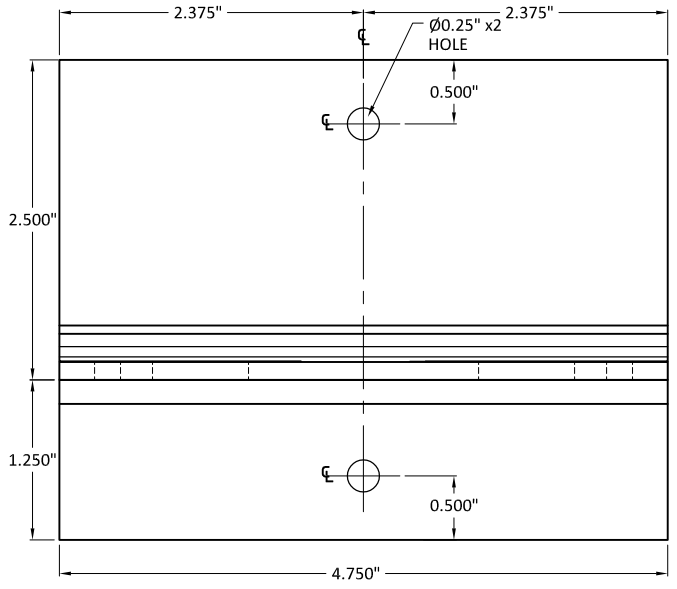
SIDE VIEW



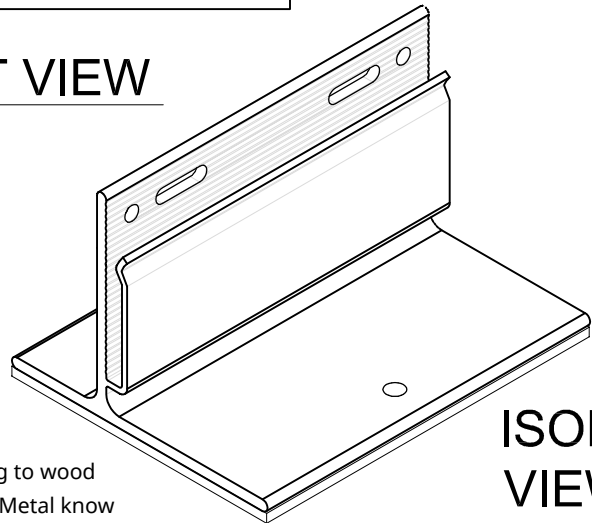
FRONT VIEW

3.75"x4.75"x0.125"
NEOPRENE RUBBER

3.75"x4.75"x0.125"
NEOPRENE RUBBER



TOP VIEW



ISOMETRIC VIEW
SCALE: 1:2

This drawing package is for mounting to wood and metal studs. Please let Monarch Metal know if you need drawings for CMU.



	NAME	DATE
DRAWN	ETC	09/04/19
CHECKED	CS	
COMMENTS:		

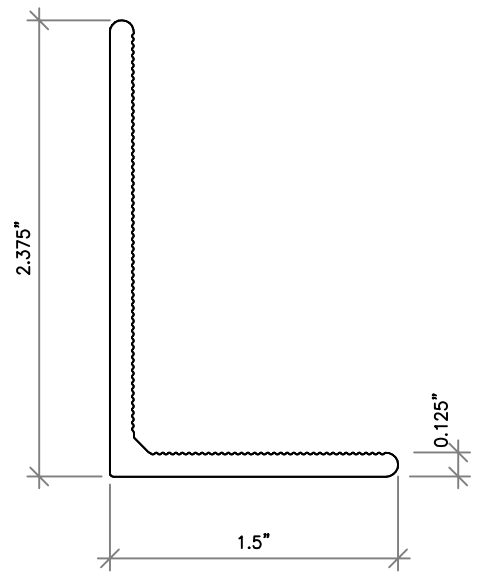
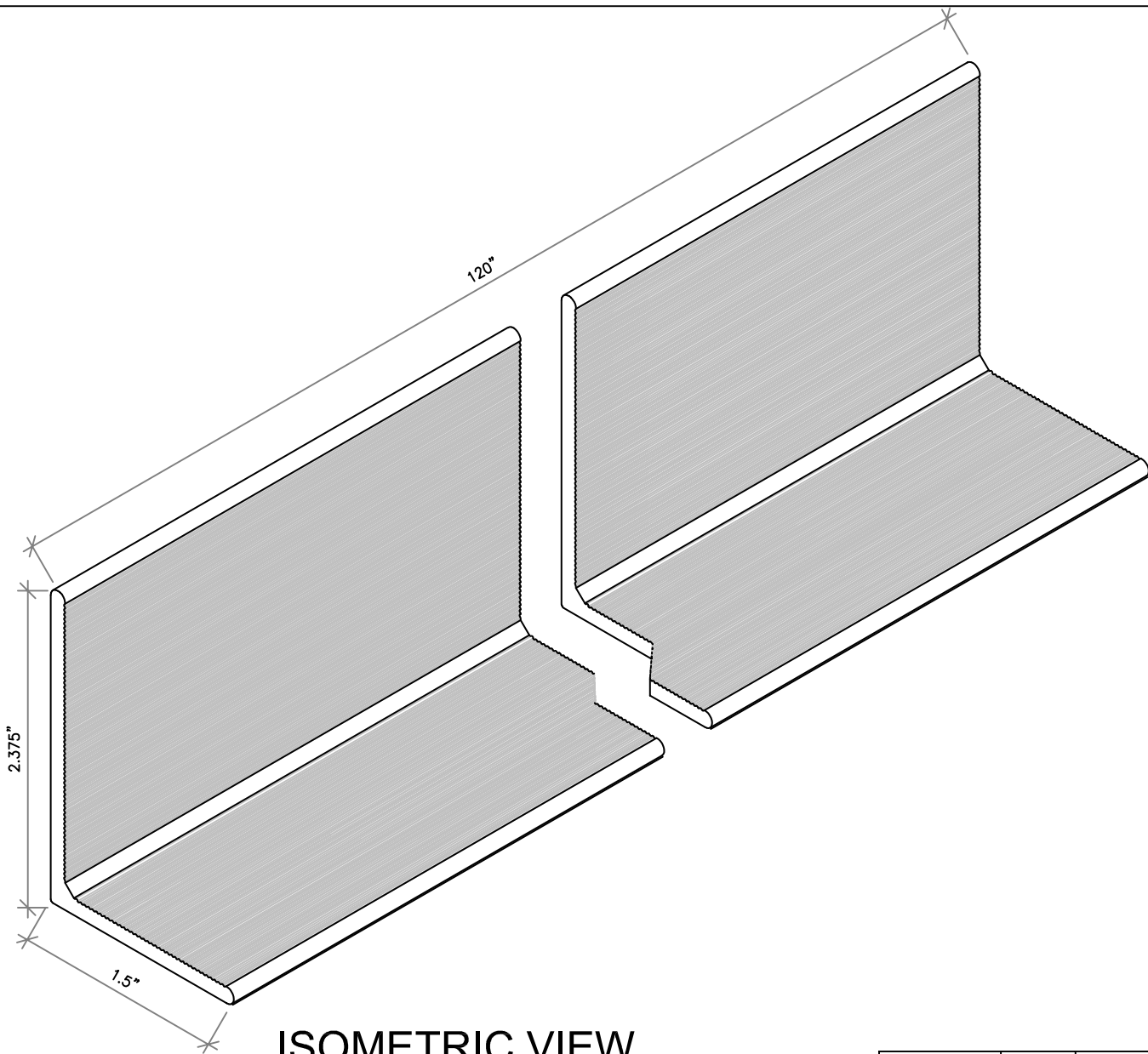
TITLE: **Horizontal Single Wall Bracket - 4 inch**

PROPRIETARY AND CONFIDENTIAL
THE INFORMATION CONTAINED IN THIS DRAWING IS THE SOLE PROPERTY OF MONARCH METAL FABRICATION. ANY REPRODUCTION IN PART OR AS A WHOLE WITHOUT THE WRITTEN PERMISSION OF MONARCH METAL FABRICATION IS PROHIBITED.

MATERIAL
6061-T6 Aluminum
FINISH
Mill
DO NOT SCALE DRAWING

SIZE	DWG. NO.	REV
A4	HWB-04-1X	A

SCALE: 1:1.5 WEIGHT: SHEET 1 OF 1

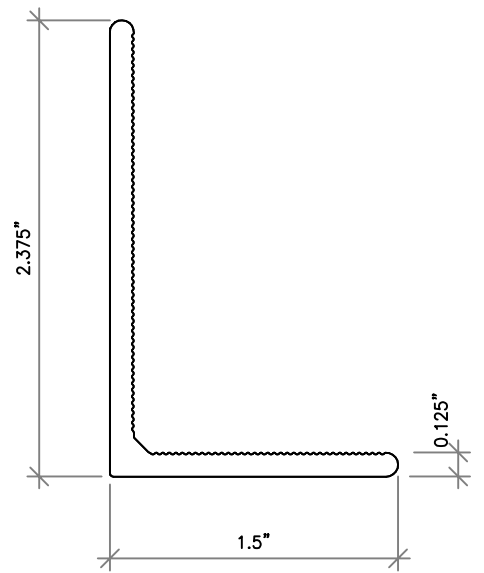
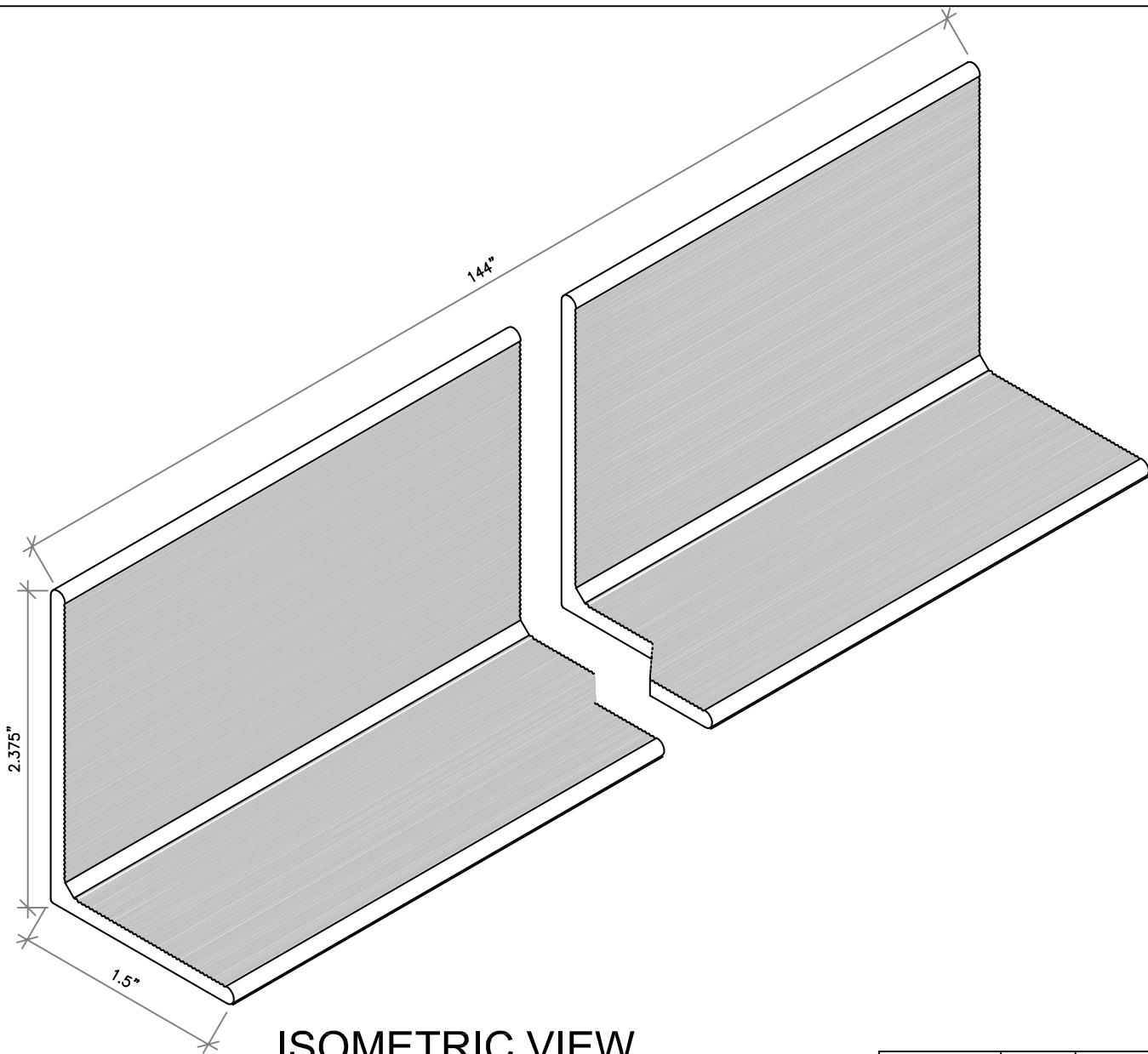


PROPRIETARY AND CONFIDENTIAL
 THE INFORMATION CONTAINED IN THIS DRAWING IS THE SOLE PROPERTY OF MONARCH METAL FABRICATION. ANY REPRODUCTION IN PART OR AS A WHOLE WITHOUT THE WRITTEN PERMISSION OF MONARCH METAL FABRICATION IS PROHIBITED.

MATERIAL
6061-T6
 FINISH
Black Powder Coated
 DO NOT SCALE DRAWING

	NAME	DATE
DRAWN	GURU	25/10/19
CHECKED	BB	
COMMENTS:	-	

TITLE: L Rail - 2.375"		
SIZE A	DWG. NO. L Rail - 2.375"	REV A
SCALE: 1:1	WEIGHT:	SHEET 1 OF 1



ISOMETRIC VIEW



PROPRIETARY AND CONFIDENTIAL
 THE INFORMATION CONTAINED IN THIS DRAWING IS THE SOLE PROPERTY OF MONARCH METAL FABRICATION. ANY REPRODUCTION IN PART OR AS A WHOLE WITHOUT THE WRITTEN PERMISSION OF MONARCH METAL FABRICATION IS PROHIBITED.

MATERIAL
6061-T6
 FINISH
Black Powder Coated
 DO NOT SCALE DRAWING

	NAME	DATE
DRAWN	GURU	29/10/19
CHECKED	BB	
COMMENTS:	-	

TITLE:
L Rail - 2.375" L=144"

SIZE	DWG. NO.	REV
A	L Rail - 2.375",L=144"	A

SCALE: 1:1 WEIGHT: SHEET 1 OF 1