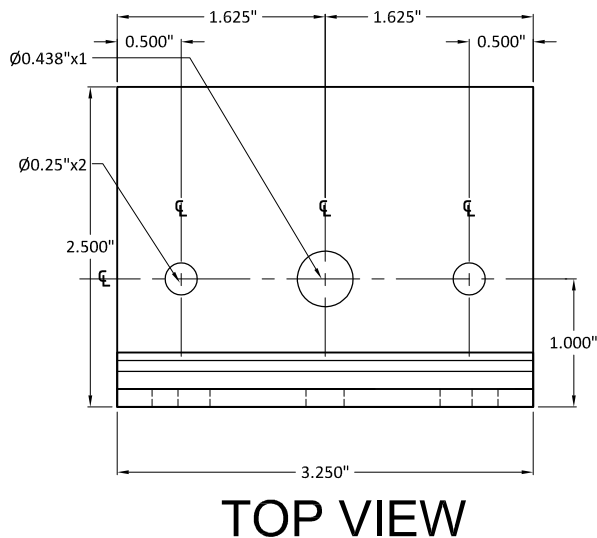


**ISOMETRIC VIEW** SCALE: 1:2



**TOP VIEW**



**TITLE:**  
**Vertical Single Wall Bracket - 2"**

	NAME	DATE
DRAWN	ETC	09/04/19
CHECKED	CS	
COMMENTS:		

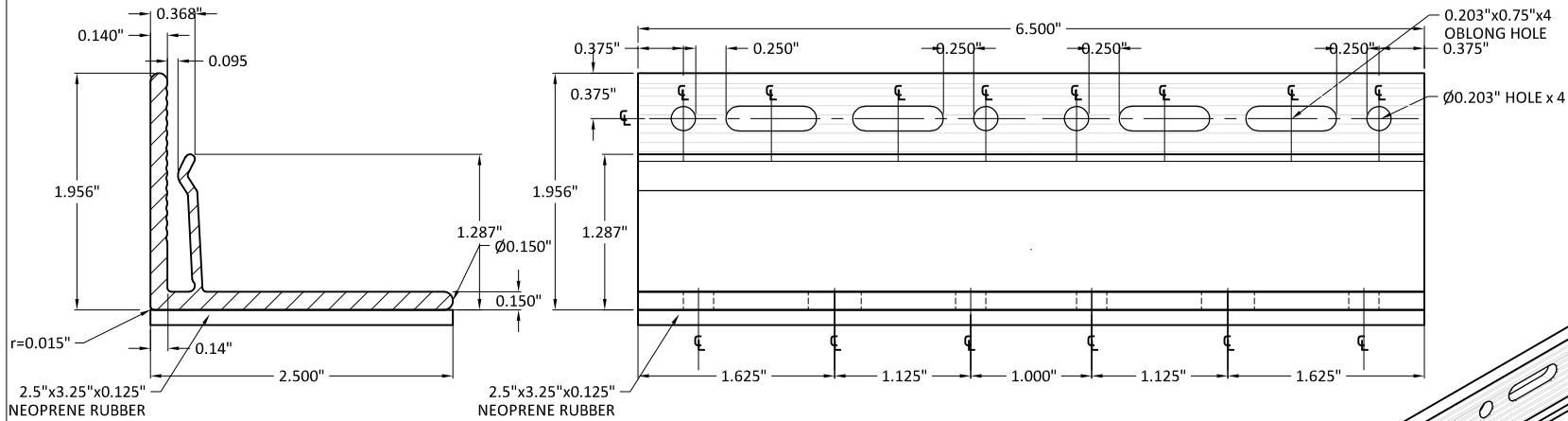
SIZE	DWG. NO.	REV
<b>A4</b>	<b>VWB-02-1X</b>	<b>A</b>

SCALE: 1:1.5 WEIGHT: lbs/sqft SHEET 1 OF 1

**PROPRIETARY AND CONFIDENTIAL**

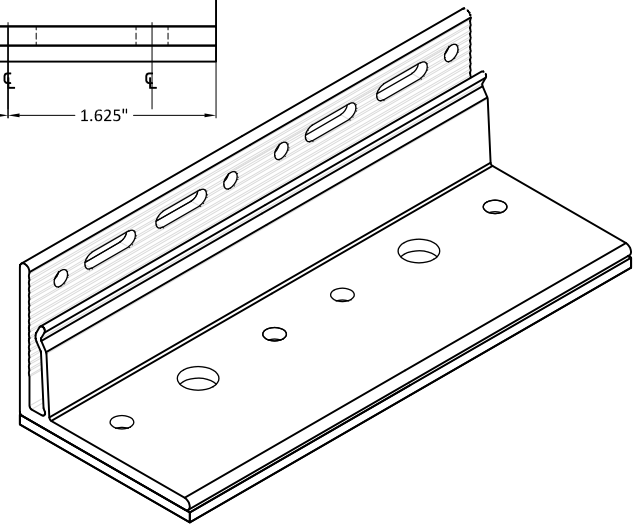
THE INFORMATION CONTAINED IN THIS DRAWING IS THE SOLE PROPERTY OF MONARCH METAL FABRICATION. ANY REPRODUCTION IN PART OR AS A WHOLE WITHOUT THE WRITTEN PERMISSION OF MONARCH METAL FABRICATION IS PROHIBITED.

MATERIAL  
**6061-T6 Aluminum**  
 FINISH  
 Tumbled  
 DO NOT SCALE DRAWING

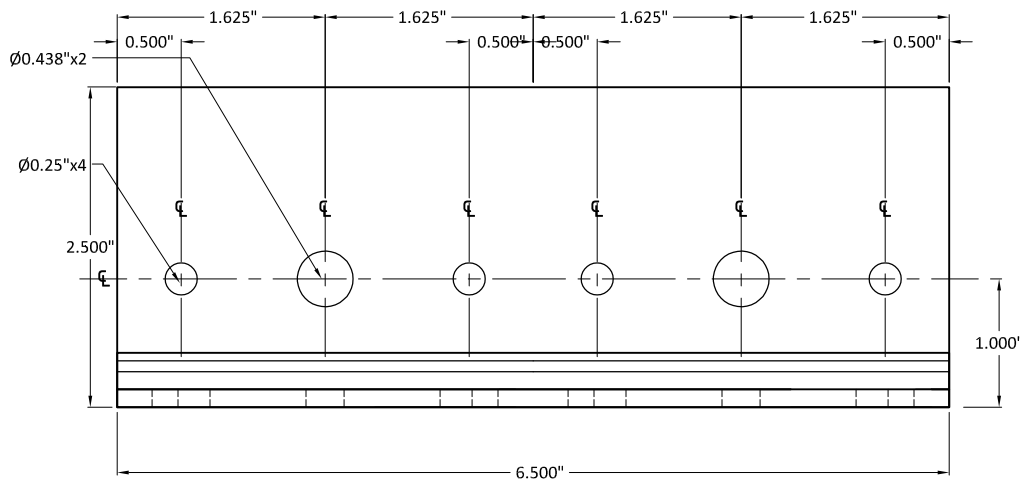


**SIDE VIEW**

**FRONT VIEW**



**ISOMETRIC VIEW** SCALE: 1:2



**TOP VIEW**



	NAME	DATE
DRAWN	ETC	09/04/19
CHECKED	CS	
COMMENTS:		

TITLE:  
**Vertical Double Wall Bracket - 2"**

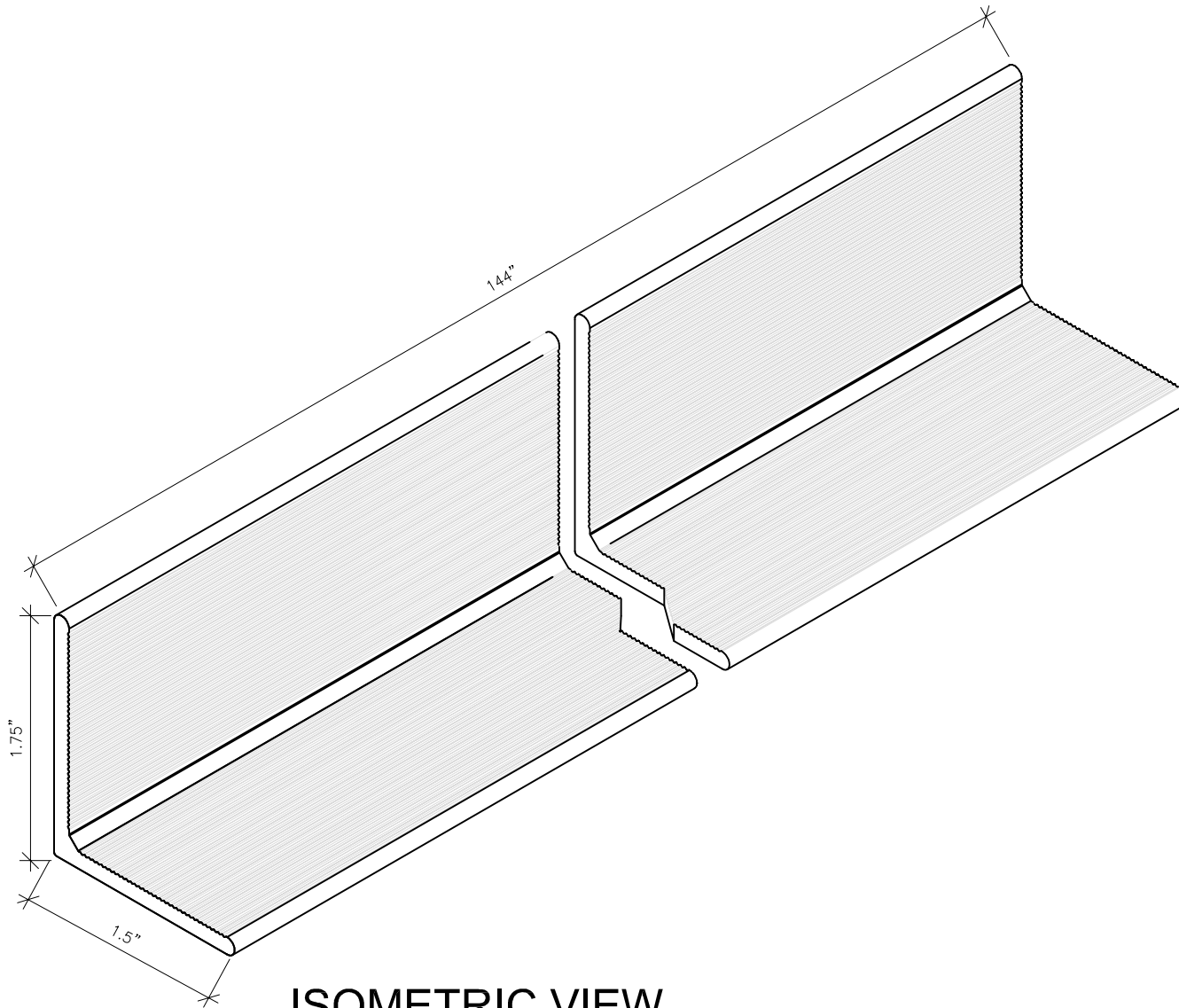
**PROPRIETARY AND CONFIDENTIAL**  
THE INFORMATION CONTAINED IN THIS DRAWING IS THE SOLE PROPERTY OF MONARCH METAL FABRICATION. ANY REPRODUCTION IN PART OR AS A WHOLE WITHOUT THE WRITTEN PERMISSION OF MONARCH METAL FABRICATION IS PROHIBITED.

MATERIAL  
6061-T6 Aluminum

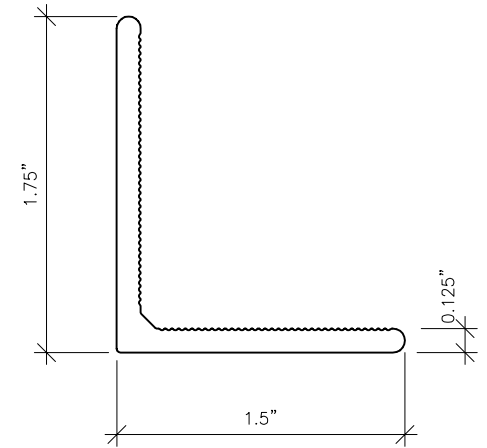
FINISH  
Tumbled

DO NOT SCALE DRAWING

SIZE	DWG. NO.	REV
<b>A4</b>	<b>VWB-02-2X</b>	<b>A</b>
SCALE: 1:1.5	WEIGHT: lbs/sqft	SHEET 1 OF 1



**ISOMETRIC VIEW**



**SIDE VIEW**



	NAME	DATE
DRAWN	ETC	09/04/19
CHECKED	CS	
COMMENTS:	-	

TITLE:  
**LR-1.75 1.75 L Rail**

**PROPRIETARY AND CONFIDENTIAL**  
THE INFORMATION CONTAINED IN THIS DRAWING IS THE SOLE PROPERTY OF MONARCH METAL FABRICATION. ANY REPRODUCTION IN PART OR AS A WHOLE WITHOUT THE WRITTEN PERMISSION OF MONARCH METAL FABRICATION IS PROHIBITED.

MATERIAL  
6061-T6 Aluminum  
FINISH  
Black Powder Coat  
DO NOT SCALE DRAWING

SIZE <b>A</b>	DWG. NO. LR-1.75	REV <b>A</b>
SCALE: 1:1	WEIGHT:	SHEET 1 OF 1