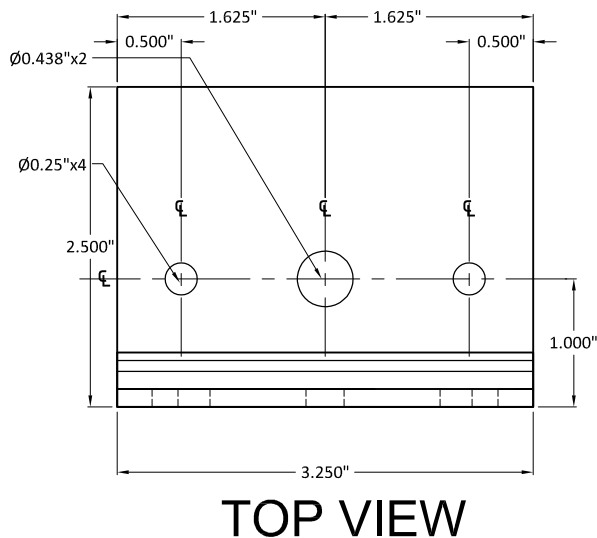


ISOMETRIC VIEW SCALE: 1:2



TOP VIEW



TITLE:
Vertical Single Wall Bracket - 3"

	NAME	DATE
DRAWN	ETC	08/26/19
CHECKED	CS	
COMMENTS:		

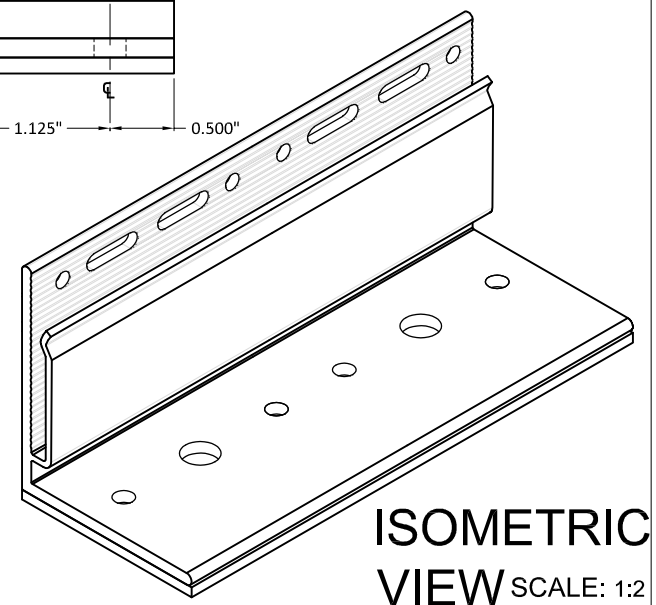
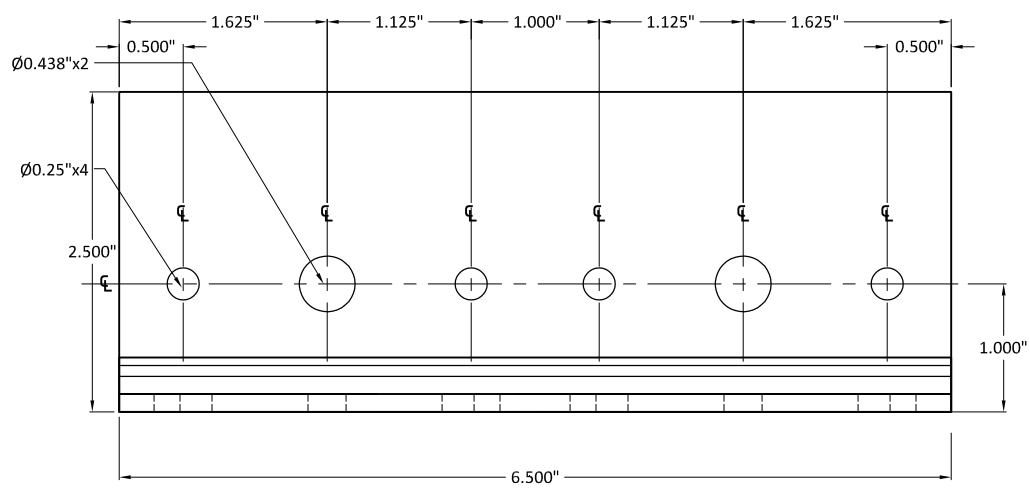
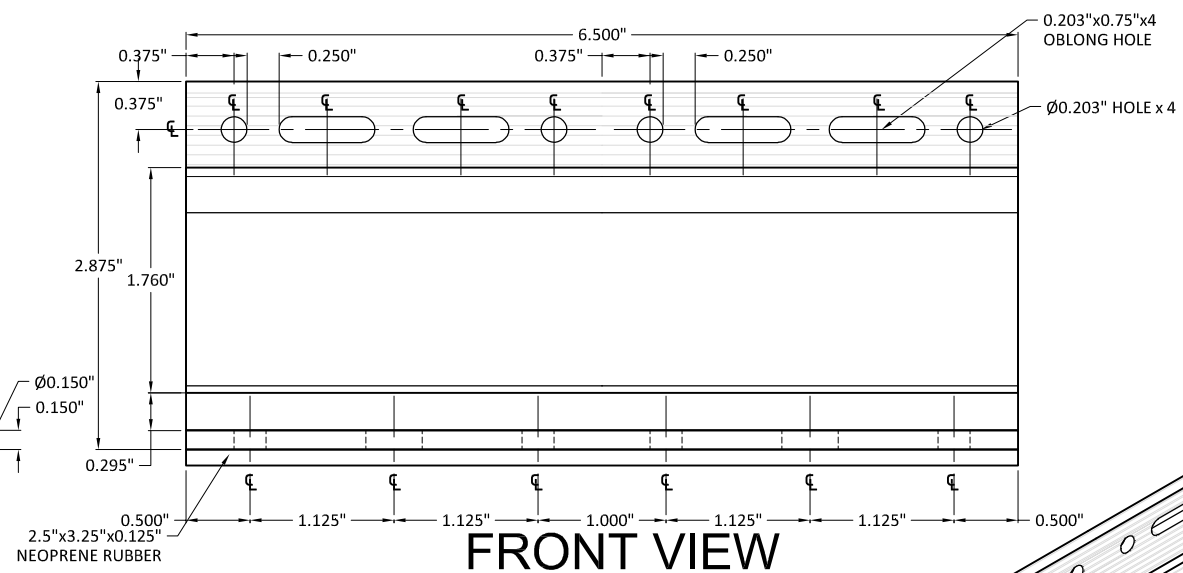
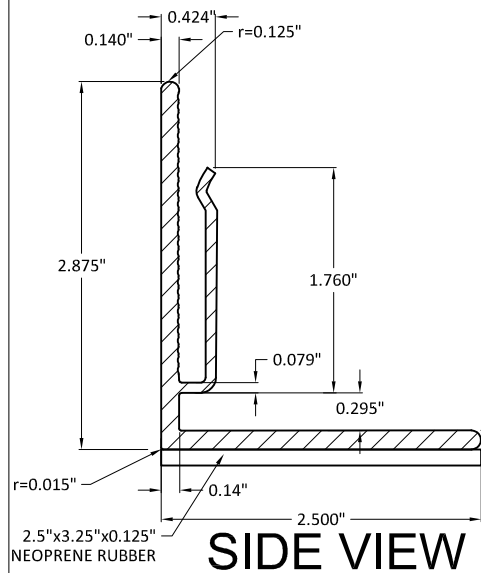
SIZE	DWG. NO.	REV
A4	VWB-03-1X	A

SCALE: 1:1.5 WEIGHT: lbs/sqft SHEET 1 OF 1

PROPRIETARY AND CONFIDENTIAL

THE INFORMATION CONTAINED IN THIS DRAWING IS THE SOLE PROPERTY OF MONARCH METAL FABRICATION. ANY REPRODUCTION IN PART OR AS A WHOLE WITHOUT THE WRITTEN PERMISSION OF MONARCH METAL FABRICATION IS PROHIBITED.

MATERIAL
6061-T6 Aluminum
FINISH
Tumbled
DO NOT SCALE DRAWING



MONARCH
METAL FABRICATION

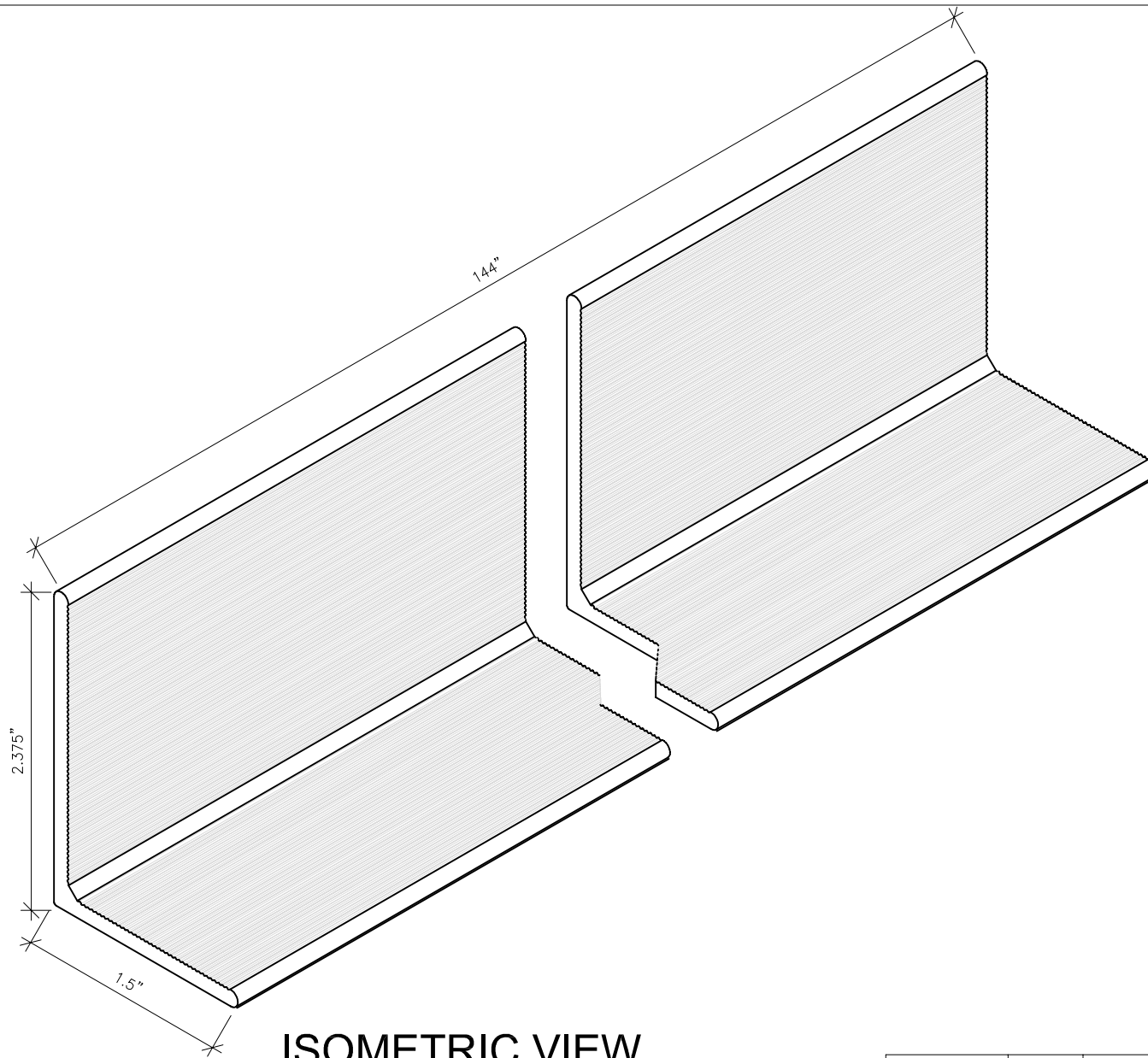
TITLE: **Vertical Double Wall Bracket - 3"**

DRAWN	ETC	DATE	08/26/19
CHECKED	CS		
COMMENTS:			
SIZE	DWG. NO.	REV	
A4	VWB-03-2X	A	
SCALE: 1:1.5	WEIGHT: lbs/sqft	SHEET 1 OF 1	

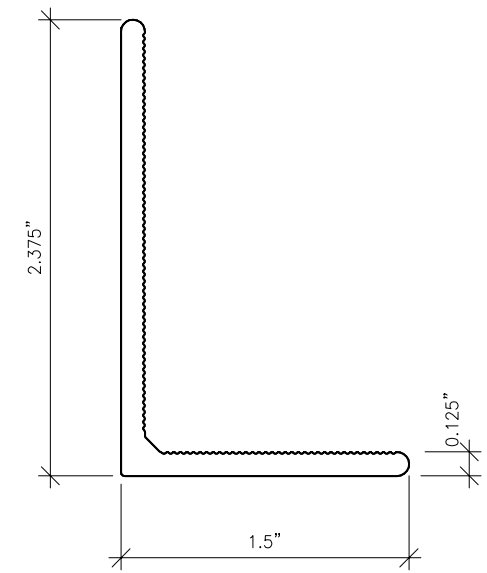
PROPRIETARY AND CONFIDENTIAL

THE INFORMATION CONTAINED IN THIS DRAWING IS THE SOLE PROPERTY OF MONARCH METAL FABRICATION. ANY REPRODUCTION IN PART OR AS A WHOLE WITHOUT THE WRITTEN PERMISSION OF MONARCH METAL FABRICATION IS PROHIBITED.

MATERIAL: 6061-T6 Aluminum
FINISH: Tumbled
DO NOT SCALE DRAWING



ISOMETRIC VIEW



SIDE VIEW



PROPRIETARY AND CONFIDENTIAL
 THE INFORMATION CONTAINED IN THIS DRAWING IS THE SOLE PROPERTY OF MONARCH METAL FABRICATION. ANY REPRODUCTION IN PART OR AS A WHOLE WITHOUT THE WRITTEN PERMISSION OF MONARCH METAL FABRICATION IS PROHIBITED.

MATERIAL
6061-T6
FINISH
Mill Finish
DO NOT SCALE DRAWING

	NAME	DATE
DRAWN	ETC	06/02/19
CHECKED	CS	
COMMENTS:		
-		

TITLE:		
L Rail		
SIZE	DWG. NO.	REV
A	L Rail	A
SCALE: 1:1	WEIGHT:	SHEET 1 OF 1