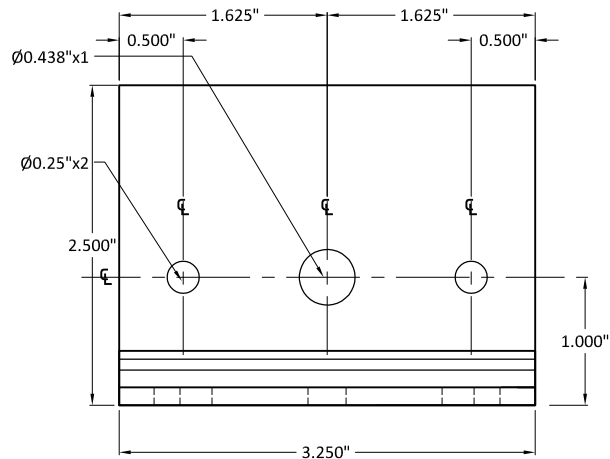


ISOMETRIC VIEW SCALE: 1:2



TOP VIEW

PROPRIETARY AND CONFIDENTIAL

THE INFORMATION CONTAINED IN THIS DRAWING IS THE SOLE PROPERTY OF MONARCH METAL FABRICATION. ANY REPRODUCTION IN PART OR AS A WHOLE WITHOUT THE WRITTEN PERMISSION OF MONARCH METAL FABRICATION IS PROHIBITED.

MATERIAL
6061-T6 Aluminum
FINISH
Tumbled
DO NOT SCALE DRAWING

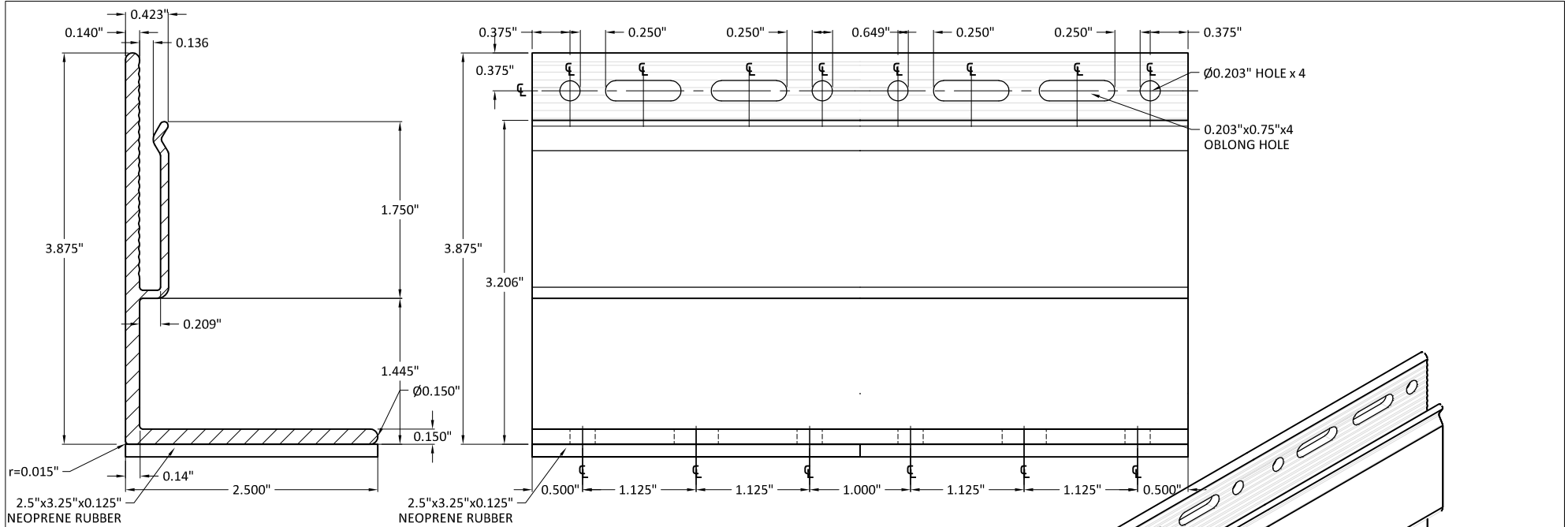
| | NAME | DATE |
|-----------|------|----------|
| DRAWN | ETC | 09/04/19 |
| CHECKED | CS | |
| COMMENTS: | | |



TITLE:
Vertical Single Wall Bracket - 4"

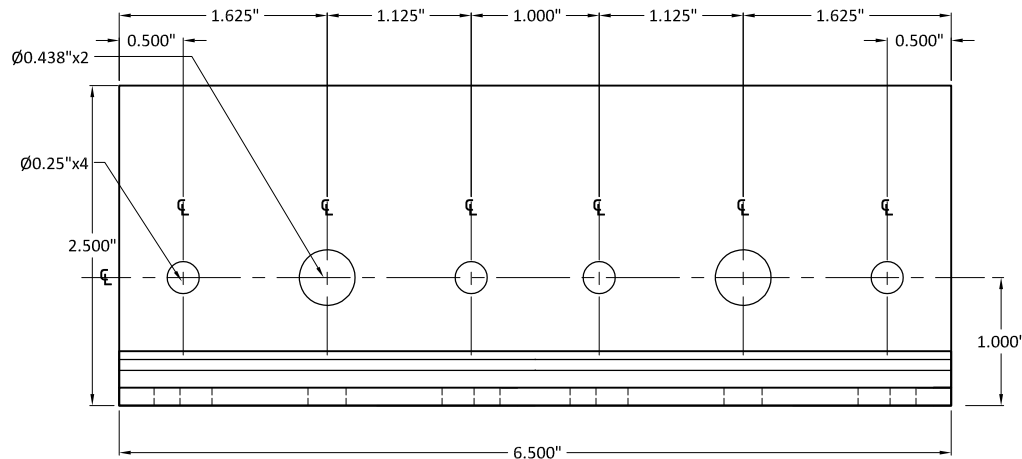
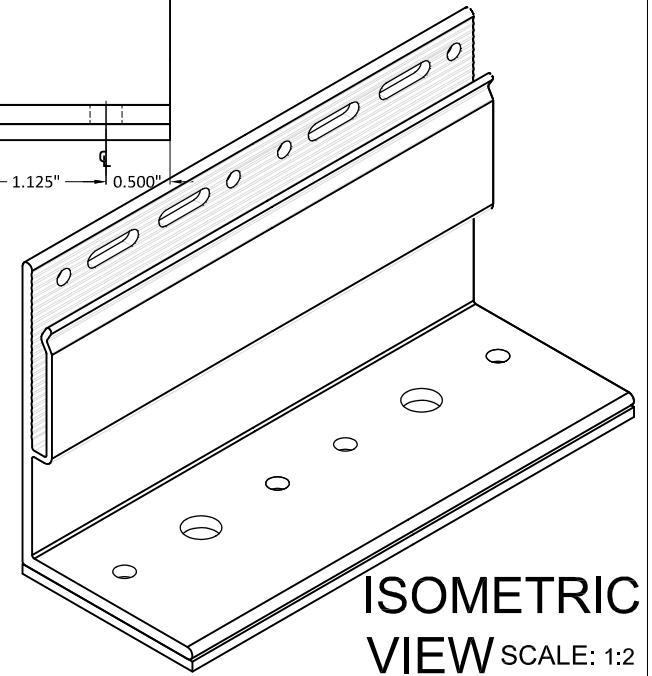
| SIZE | DWG. NO. | REV |
|-----------|------------------|----------|
| A4 | VWB-04-1X | A |

SCALE: 1:1.5 WEIGHT: lbs/sqft SHEET 1 OF 1



SIDE VIEW

FRONT VIEW




TOP VIEW

PROPRIETARY AND CONFIDENTIAL

THE INFORMATION CONTAINED IN THIS DRAWING IS THE SOLE PROPERTY OF MONARCH METAL FABRICATION. ANY REPRODUCTION IN PART OR AS A WHOLE WITHOUT THE WRITTEN PERMISSION OF MONARCH METAL FABRICATION IS PROHIBITED.

MATERIAL
6061-T6 Aluminum
FINISH
Tumbled
DO NOT SCALE DRAWING

| | NAME | DATE |
|-----------|------|----------|
| DRAWN | ETC | 09/04/19 |
| CHECKED | CS | |
| COMMENTS: | | |

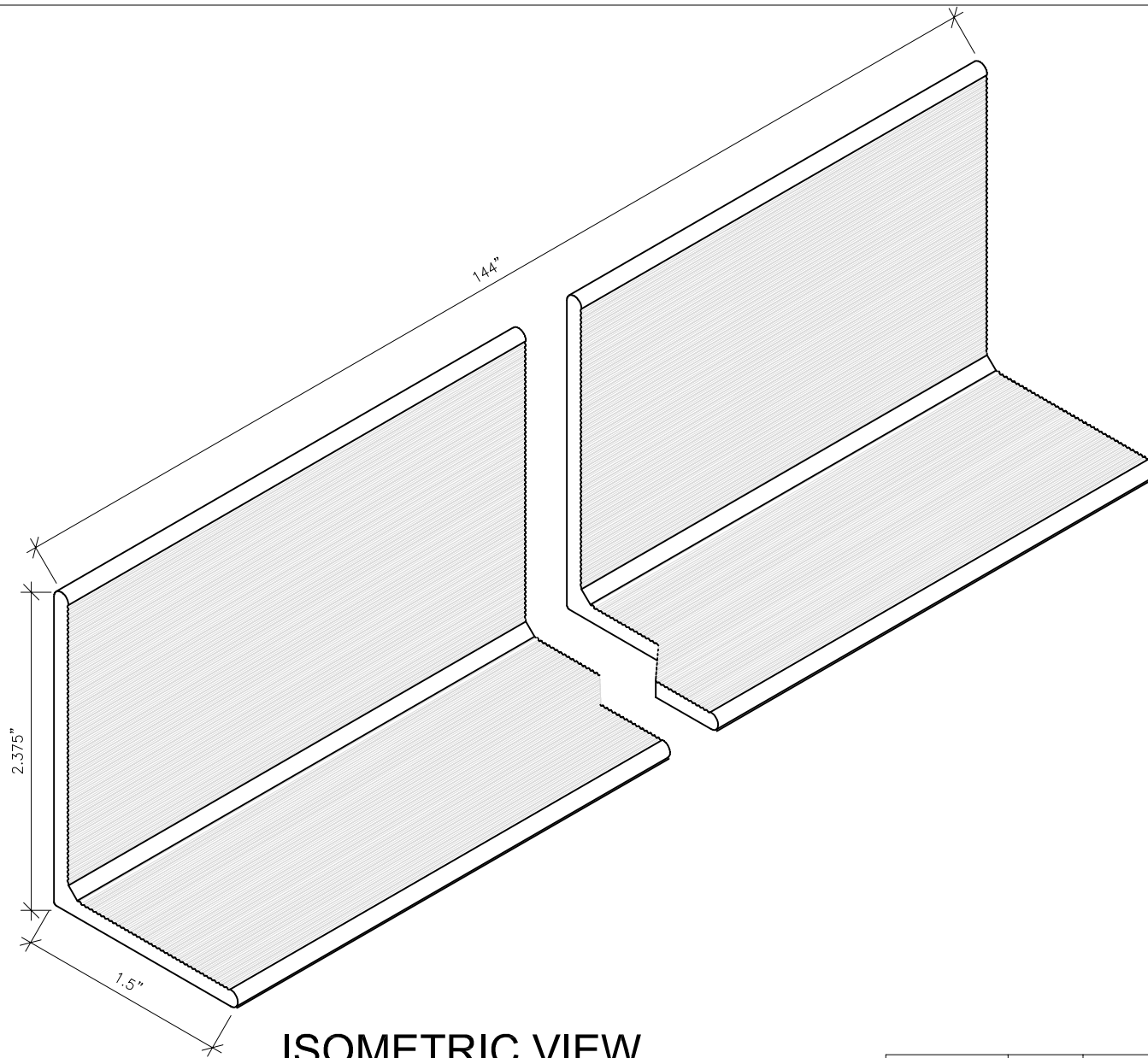


MONARCH
METAL FABRICATION

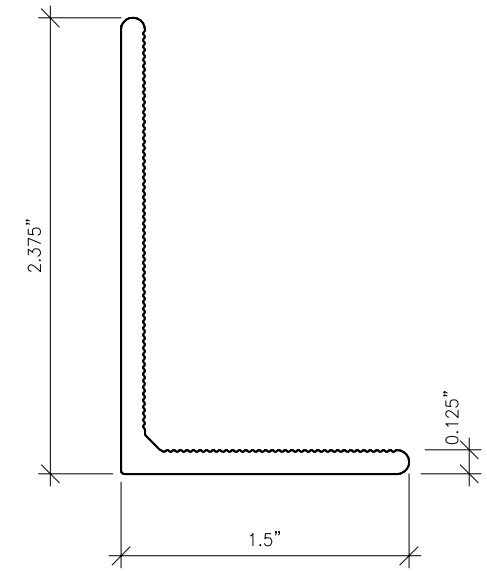
TITLE:
Vertical Double Wall Bracket - 4"

| SIZE | DWG. NO. | REV |
|-----------|------------------|----------|
| A4 | VWB-04-2X | A |

SCALE: 1:1.5 WEIGHT: lbs/sqft SHEET 1 OF 1



ISOMETRIC VIEW



SIDE VIEW



| | NAME | DATE |
|---------|------|----------|
| DRAWN | ETC | 06/02/19 |
| CHECKED | CS | |

TITLE:
L Rail

PROPRIETARY AND CONFIDENTIAL
 THE INFORMATION CONTAINED IN THIS DRAWING IS THE SOLE PROPERTY OF MONARCH METAL FABRICATION. ANY REPRODUCTION IN PART OR AS A WHOLE WITHOUT THE WRITTEN PERMISSION OF MONARCH METAL FABRICATION IS PROHIBITED.

MATERIAL
6061-T6

FINISH
Mill Finish

DO NOT SCALE DRAWING

COMMENTS:
-

| SIZE | DWG. NO. | REV |
|----------|----------|----------|
| A | L Rail | A |

SCALE: 1:1 WEIGHT: SHEET 1 OF 1