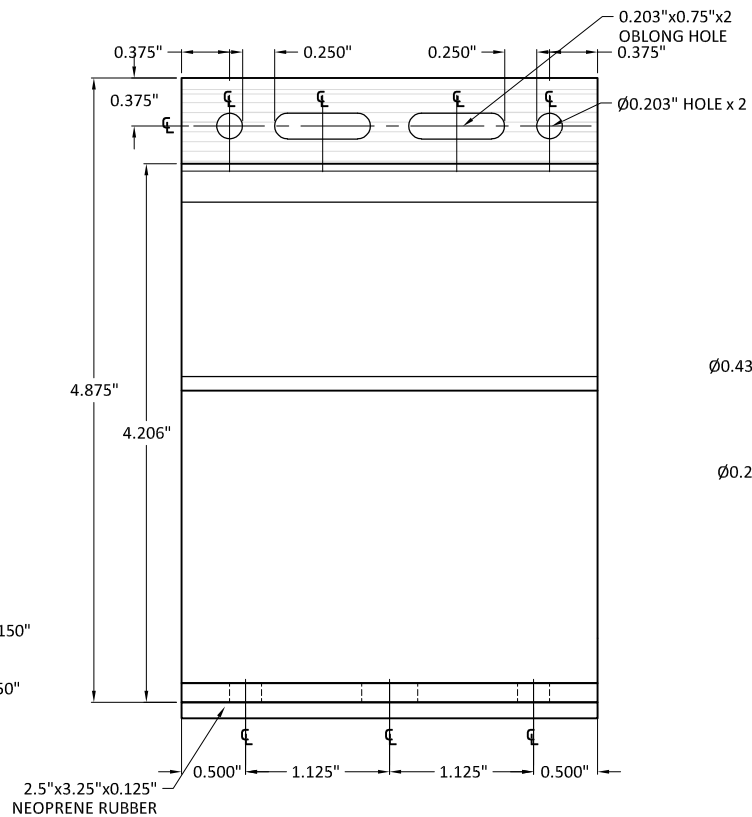
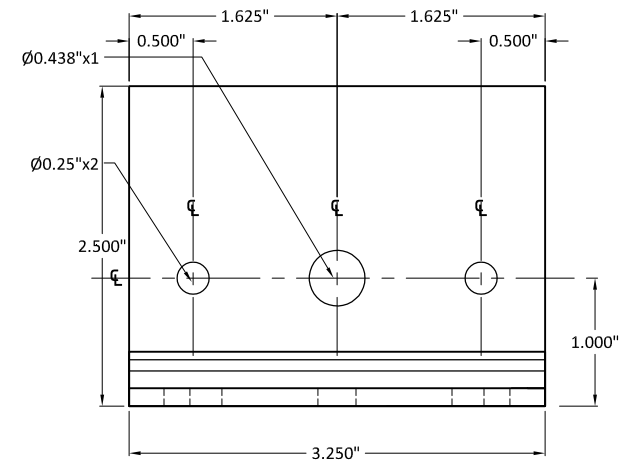


**SIDE VIEW**



**FRONT VIEW**



**TOP VIEW**

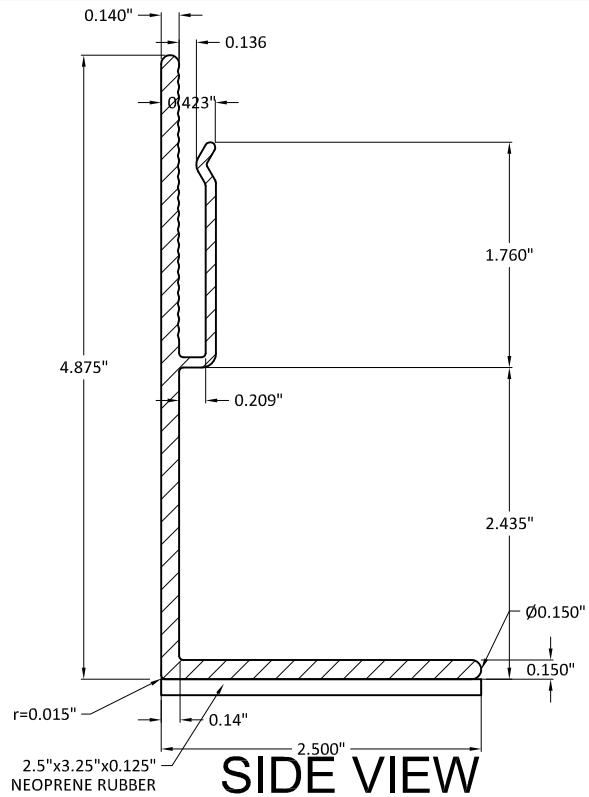


**PROPRIETARY AND CONFIDENTIAL**  
 THE INFORMATION CONTAINED IN THIS DRAWING IS THE SOLE PROPERTY OF MONARCH METAL FABRICATION. ANY REPRODUCTION IN PART OR AS A WHOLE WITHOUT THE WRITTEN PERMISSION OF MONARCH METAL FABRICATION IS PROHIBITED.

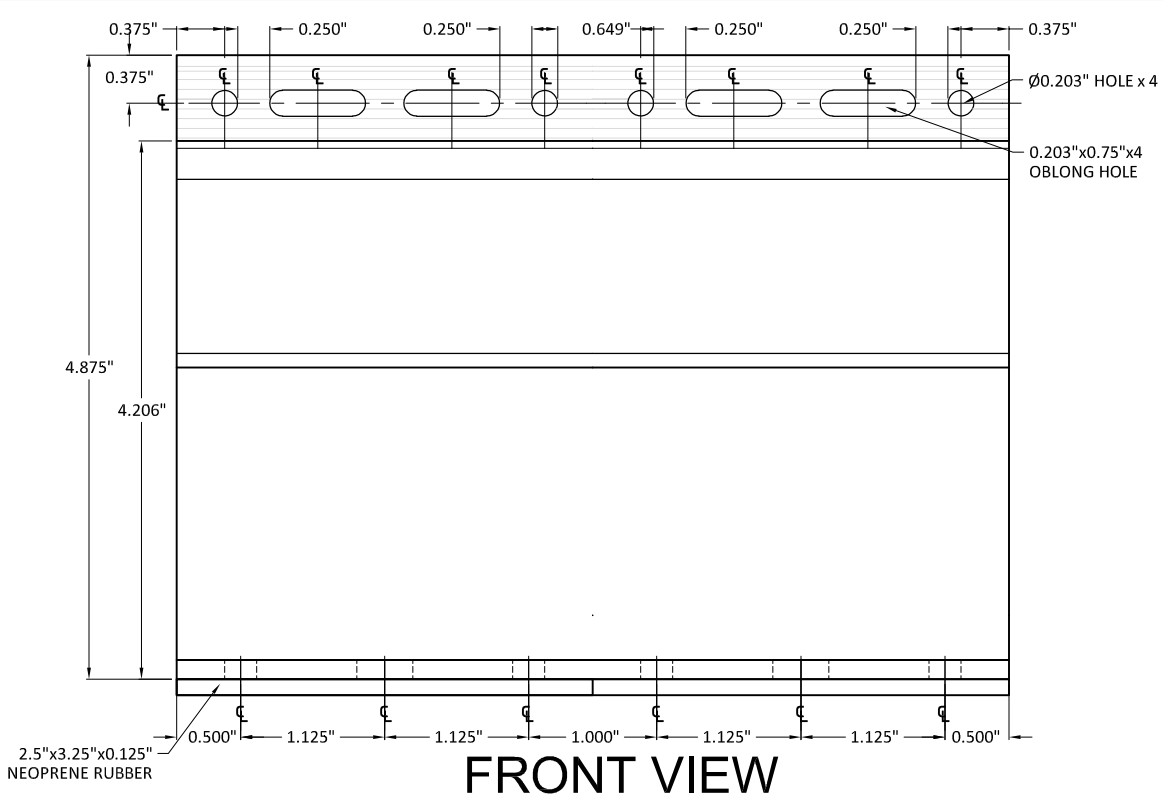
MATERIAL  
 6061-T6 Aluminum  
 FINISH  
 Tumbled  
 DO NOT SCALE DRAWING

	NAME	DATE
DRAWN	ETC	09/04/19
CHECKED	CS	
COMMENTS:		

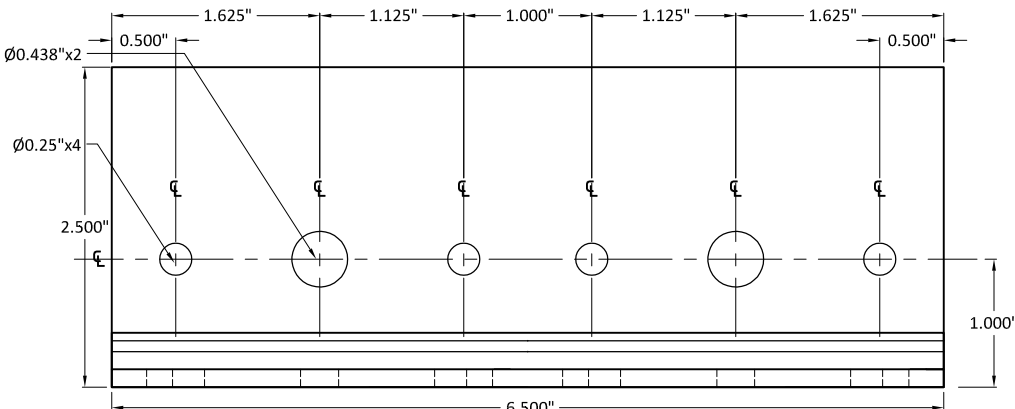
TITLE: <b>Vertical Single Wall Bracket - 5"</b>		
SIZE <b>A4</b>	DWG. NO. <b>VWB-05-1X</b>	REV <b>A</b>
SCALE: 1:1.5	WEIGHT: lbs/sqft	SHEET 1 OF 1



**SIDE VIEW**



**FRONT VIEW**




**TOP VIEW**

**PROPRIETARY AND CONFIDENTIAL**  
 THE INFORMATION CONTAINED IN THIS DRAWING IS THE SOLE PROPERTY OF MONARCH METAL FABRICATION. ANY REPRODUCTION IN PART OR AS A WHOLE WITHOUT THE WRITTEN PERMISSION OF MONARCH METAL FABRICATION IS PROHIBITED.

MATERIAL  
 6061-T6 Aluminum  
 FINISH  
 Tumbled  
 DO NOT SCALE DRAWING

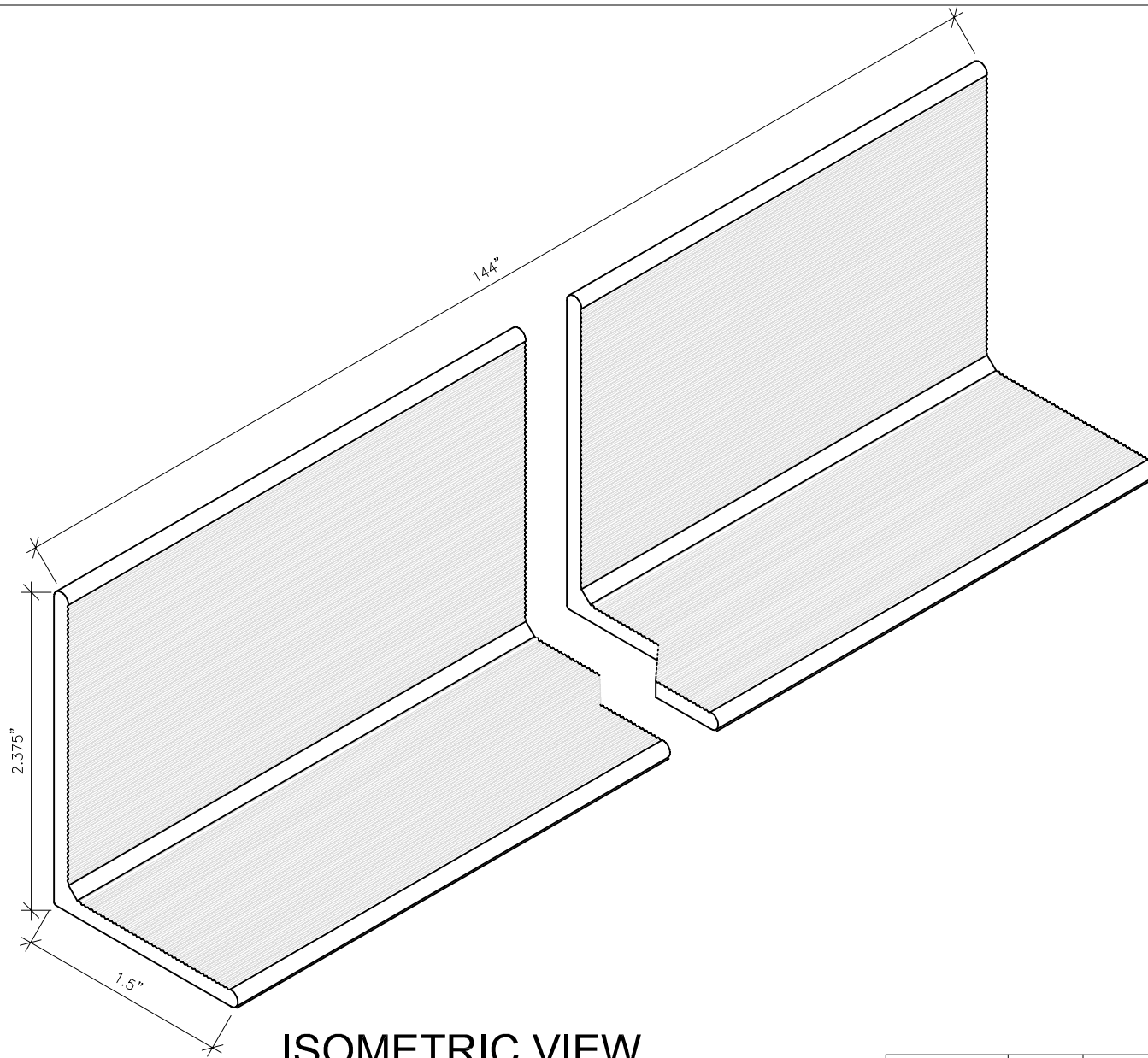
	NAME	DATE
DRAWN	ETC	09/04/19
CHECKED	CS	
COMMENTS:		



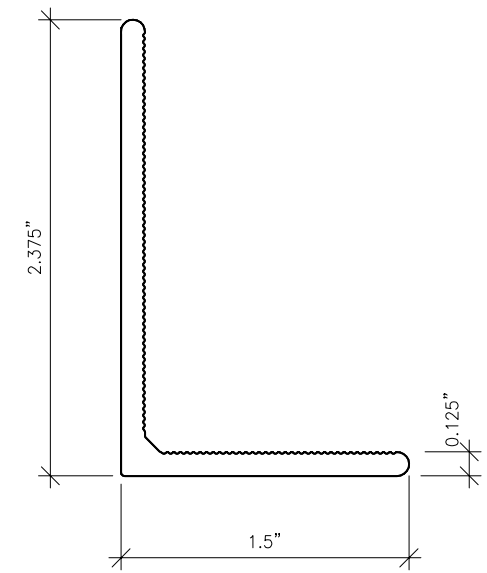
**MONARCH**  
 METAL FABRICATION

TITLE:  
**Vertical Double Wall Bracket - 5"**

SIZE <b>A4</b>	DWG. NO. <b>VWB-05-2X</b>	REV <b>A</b>
SCALE: 1:1.5	WEIGHT: lbs/sqft	SHEET 1 OF 1



**ISOMETRIC VIEW**



**SIDE VIEW**



**PROPRIETARY AND CONFIDENTIAL**  
 THE INFORMATION CONTAINED IN THIS DRAWING IS THE SOLE PROPERTY OF MONARCH METAL FABRICATION. ANY REPRODUCTION IN PART OR AS A WHOLE WITHOUT THE WRITTEN PERMISSION OF MONARCH METAL FABRICATION IS PROHIBITED.

**MATERIAL**  
6061-T6  
**FINISH**  
Mill Finish  
 DO NOT SCALE DRAWING

	NAME	DATE
DRAWN	ETC	06/02/19
CHECKED	CS	
COMMENTS:	-	

TITLE: <b>L Rail</b>		
SIZE <b>A</b>	DWG. NO. L Rail	REV <b>A</b>
SCALE: 1:1	WEIGHT:	SHEET 1 OF 1